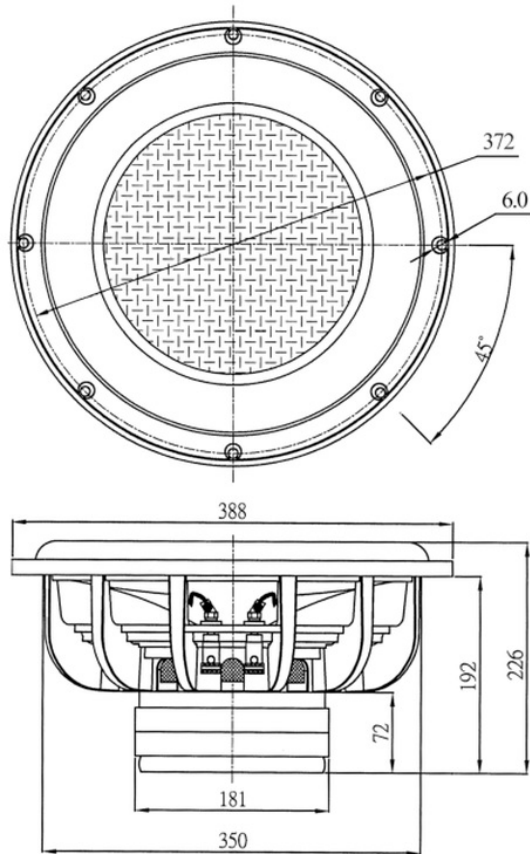




UM15-22 15" Ultimax DVC Subwoofer 2 ohm Per Coil

UM15-22



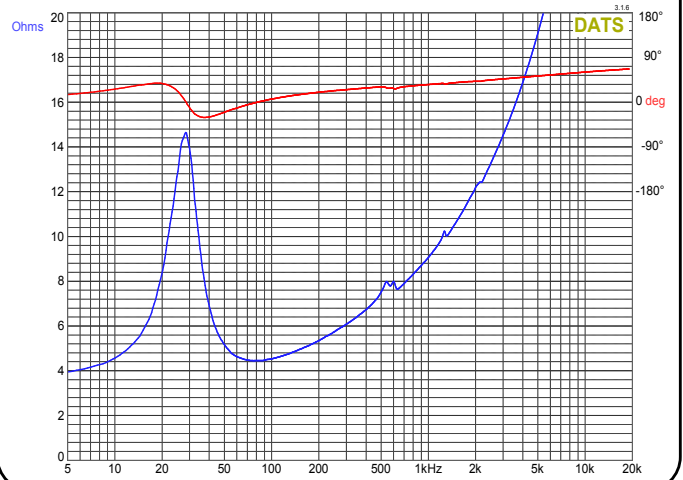
PARAMETERS

Impedance	2 + 2 ohms
Re	3.7 ohms
Le	0.8 mH
Fs	28.4 Hz
Qms	2.80
Qes	0.95
Qts	0.71
Mms	287g
Cms	0.11 mm/N
Sd	814.6 cm ²
Vd	1,548 cm ³
BL	14.1 Tm
Vas	101.9 liters
Xmax	19 mm
VC Diameter	63.5 mm
SPL	89.1 dB @ 2.83V/1m
RMS Power Handling	800 watts
Usable Frequency Range (Hz)	20 - 500 Hz

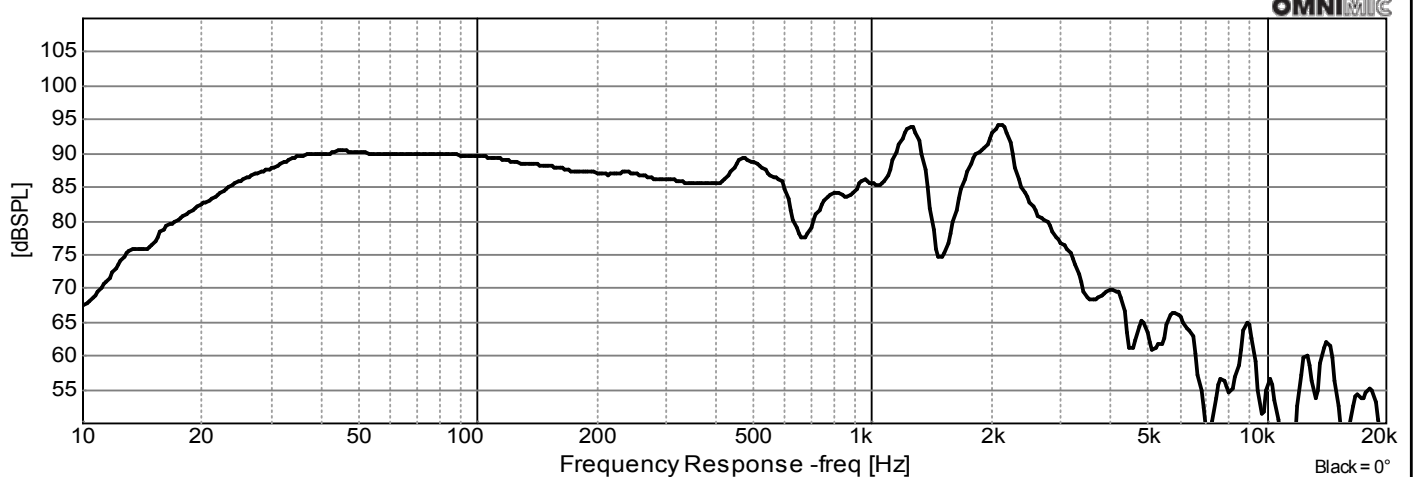
FEATURES

- Sweeps massive amounts of air!
- Over 1-1/2" of total cone travel
- 800 watts RMS power handling
- The latest in subwoofer technology
- Dual linear stiffness spiders limit distortion and rocking modes

IMPEDANCE/PHASE



FREQUENCY RESPONSE



Note: 1/24th octave smoothing - nearfield response included in graph below 450 Hz.

Note: All parameters derived with voice coils wired in series