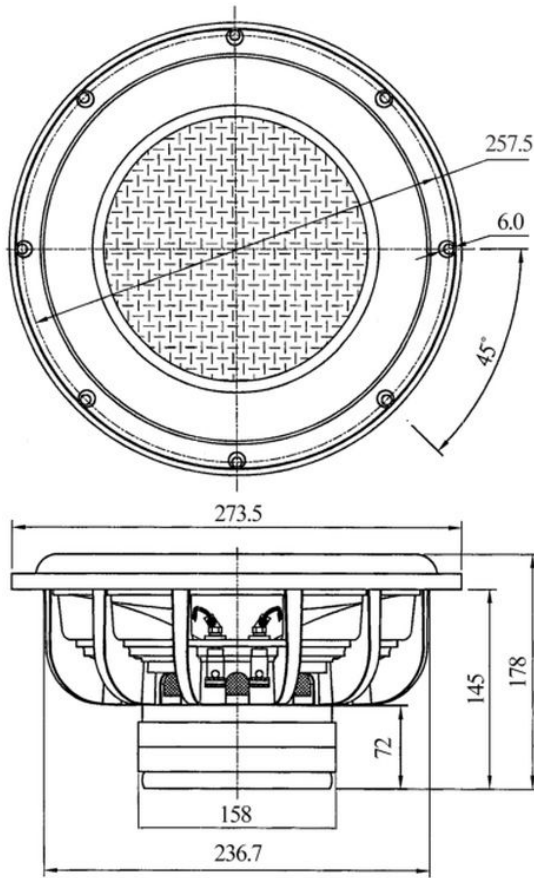




# UM10-22 10" Ultimax DVC Subwoofer 2 ohm Per Coil

UM10-22



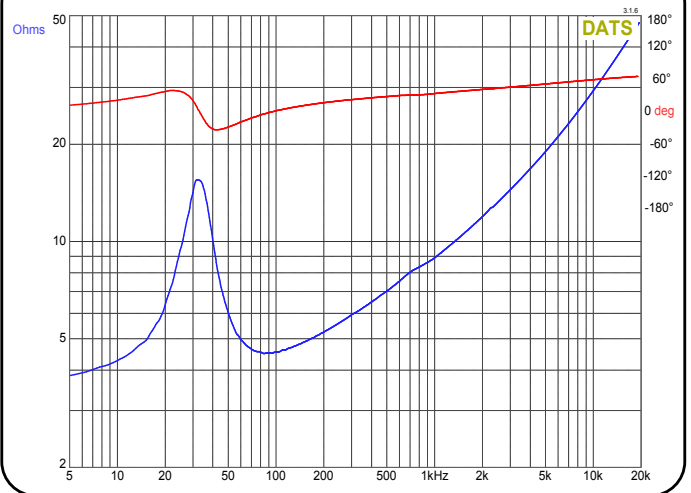
## PARAMETERS

Impedance:	2 + 2 ohms
Re:	3.7 ohms
Le:	0.77 mH
Fs:	31.9 Hz
Qms:	3.02
Qes:	0.94
Qts:	0.72
Mms:	192g
Cms:	0.13 mm/N
Sd:	327.8 cm <sup>2</sup>
Vd:	622.8 cm <sup>3</sup>
BL:	12.3 Tm
Vas:	19.6 liters
Xmax:	19 mm
VC Diameter:	63.5 mm
SPL:	83.6 dB @ 2.83V/1m
RMS Power Handling:	500 watts
Usable Frequency Range:	20 – 800 Hz

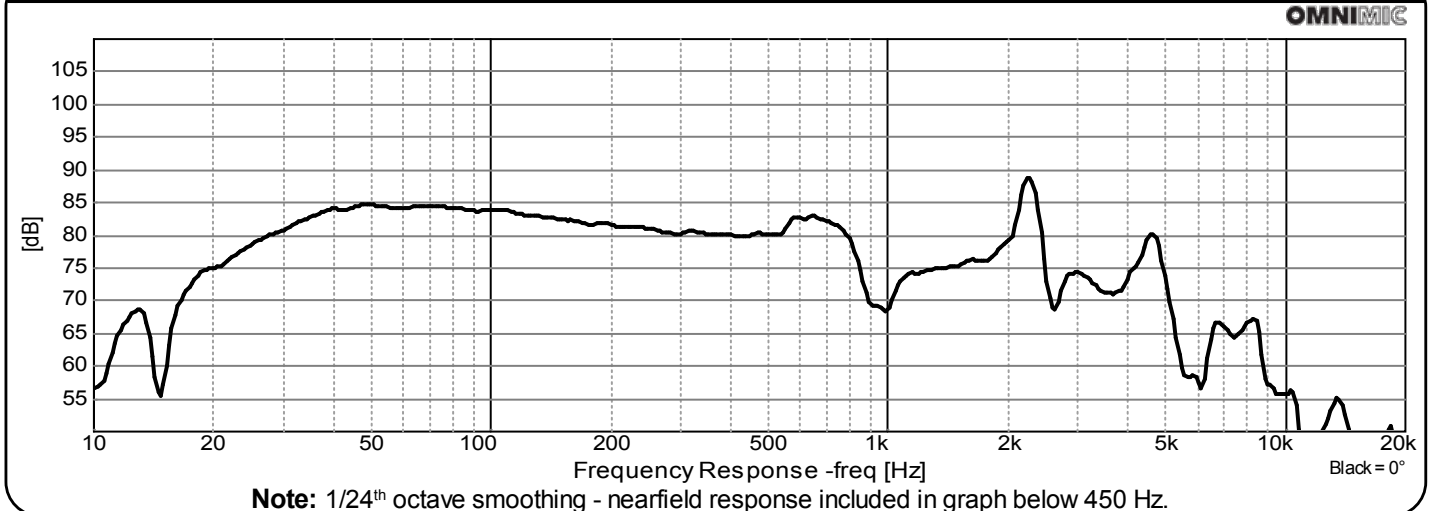
## FEATURES

- Dual 2 ohm, 2-layer copper voice coils
- Large vented pole piece and under-spider venting
- 500 watts RMS power handling
- Black anodized aluminum former and black pole improves heat dissipation
- Thick, one-piece Nomex honeycomb covered cone with woven heavy-duty glass-fiber

## IMPEDANCE/PHASE



## FREQUENCY RESPONSE



Note: All parameters derived with voice coils wired in series