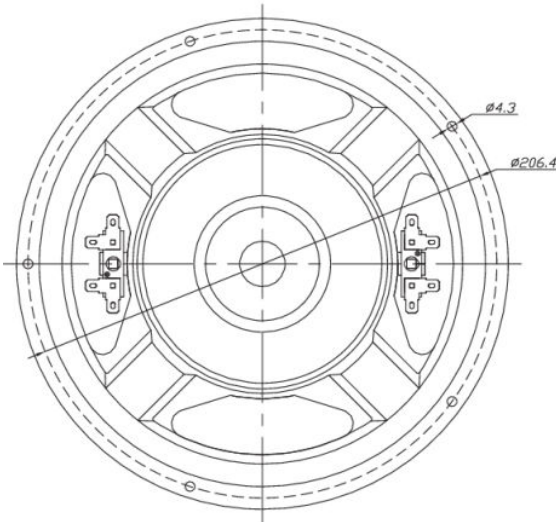
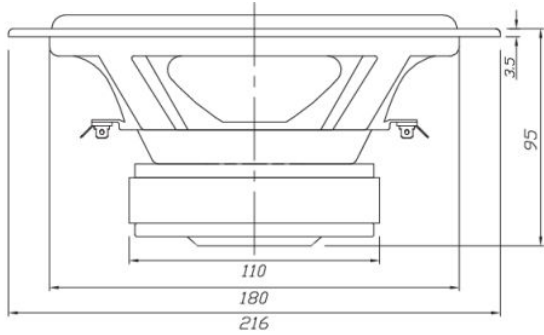




SD215A-88 8" DVC Subwoofer 4 Ohm

SD215A-88



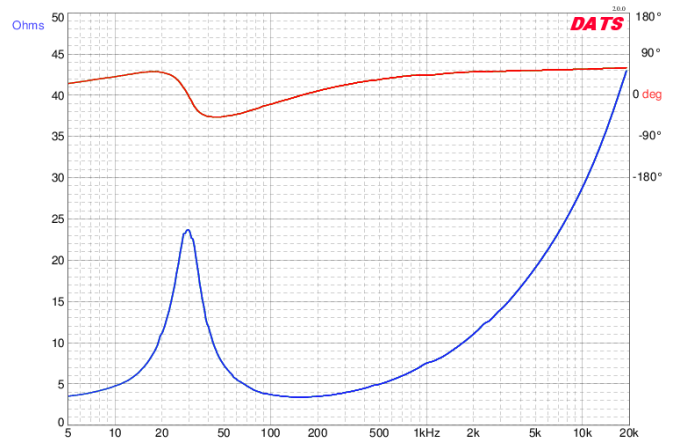
PARAMETERS

Impedance	8+8 ohms
Re	3.20 ohms
Le	1.16 mH
Fs	31.0 Hz
Qms	3.10
Qes	0.45
Qts	0.39
Mms	42.40 g
Cms	0.62 mm/N
Sd	208.7 cm ²
Vd	125.2 cm ³
BL	7.70 Tm
Vas	38.2 liters
Xmax	6.0 mm
VC Diameter	38.5 mm
SPL	85.9 dB @ 1W/1m
RMS Power Handling	80 watts
Usable Frequency Range (Hz)	31 - 2,500 Hz

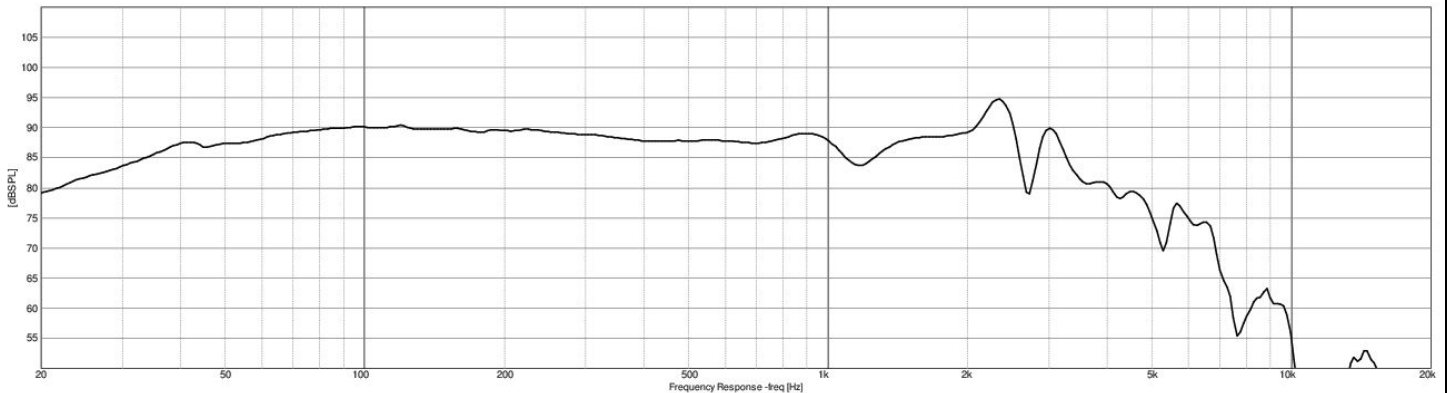
FEATURES

- Works equally well in sealed or vented enclosures
- Attractive gasket-less design
- Long-life rubber surround for years of reliable service
- Excellent bottom octave performance

IMPEDANCE/PHASE



FREQUENCY RESPONSE



Note: 1/24th octave smoothing - nearfield response included in graph below 450 Hz.

Black = 0°