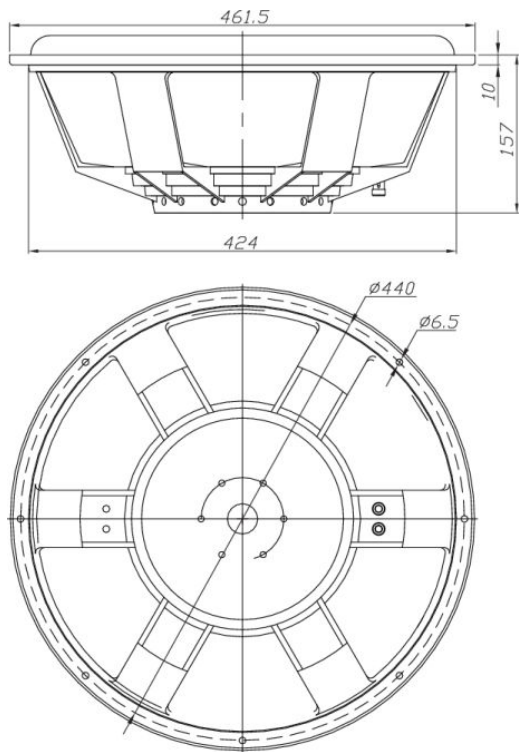




# RSS460-PR 18" Aluminum Cone Passive Radiator

RSS460-PR



## FEATURES

- SMS (Sandwich Mass System) permits greater linearity by minimizing angular torque
- Durable yet compliant suspension provides substantial linear travel and mechanical stability
- Rigid cast aluminum frame with thick black anodized aluminum cone
- Threaded rod with lock nut for easy adjustment of tuning frequency
- Includes 8-75 gram weighted disks for simple tuning adjustment

## Default Parameters (driver only)

Fs	14.7 Hz
Qms	5.03
Mms	500g
Cms	0.23 mm/N
Sd	1164.0 cm <sup>2</sup>
Vd	3,957.6 cm <sup>3</sup>
Vas	449.0 liters
Xmax	34 mm

**Note:** Parameters above are for the passive only with no additional mass added. Parameters with additional mass added are listed in the table below.

## Parameters with Added Mass

RSS460-PR	0 disk	1 disk	2 disk	3 disk	4 disk	5 disk	6 disk	7 disk	8 disk	
Mmpr	500	575	650	725	800	875	950	1025	1100	<b>g</b>
Fpr	14.7	13.7	12.9	12.2	11.7	11.1	10.7	10.3	9.9	<b>Hz</b>
Qmpr	5.03	5.39	5.73	6.05	6.36	6.65	6.93	7.20	7.46	
Vapr	449.0	<b>These parameters remain the same</b>								<b>liters</b>
Cmpr	0.233									<b>mm/N</b>
Rmpr	9.21									<b>kg/s</b>
Xmech	34									<b>mm</b>
Sd	1164									<b>cm<sup>2</sup></b>
Vd	3,957.6									<b>cm<sup>3</sup></b>