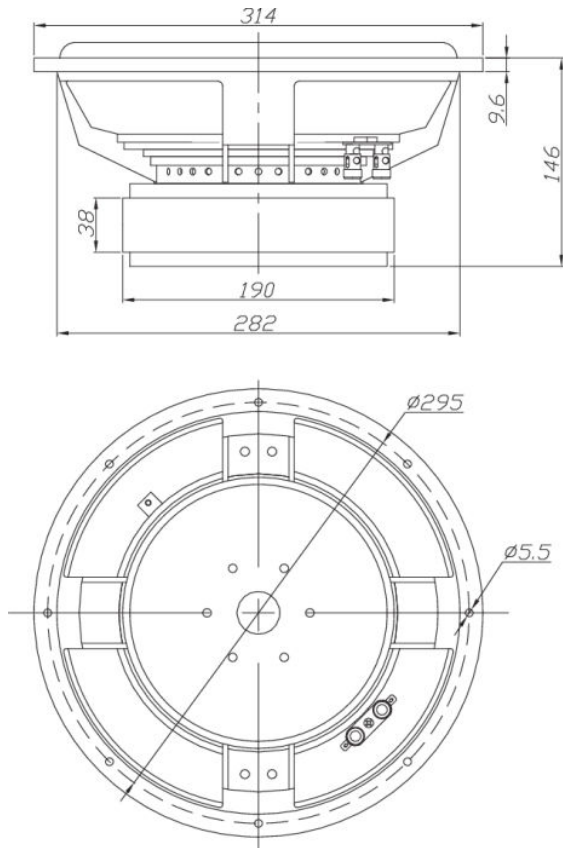




RSS315HO-4 12" Reference HO Subwoofer 4 Ohm

RSS315HO-4



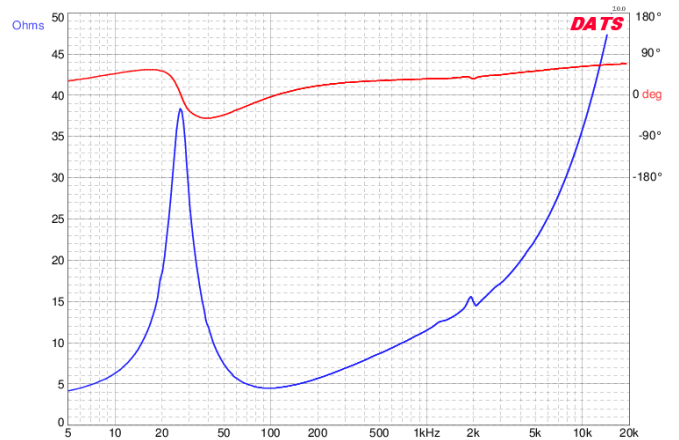
PARAMETERS

Impedance	4 ohms
Re	3.2 ohms
Le	1.75 mH
Fs	26.2 Hz
Qms	3.63
Qes	0.33
Qts	0.31
Mms	251g
Cms	0.15 mm/N
Sd	514.7 cm ²
Vd	633.1 cm ³
BL	20 Tm
Vas	53.7 liters
Xmax	12.3 mm
VC Diameter	64 mm
SPL	90.5 dB @ 2.83V/1m
RMS Power Handling	700 watts
Usable Frequency Range (Hz)	26 - 600 Hz

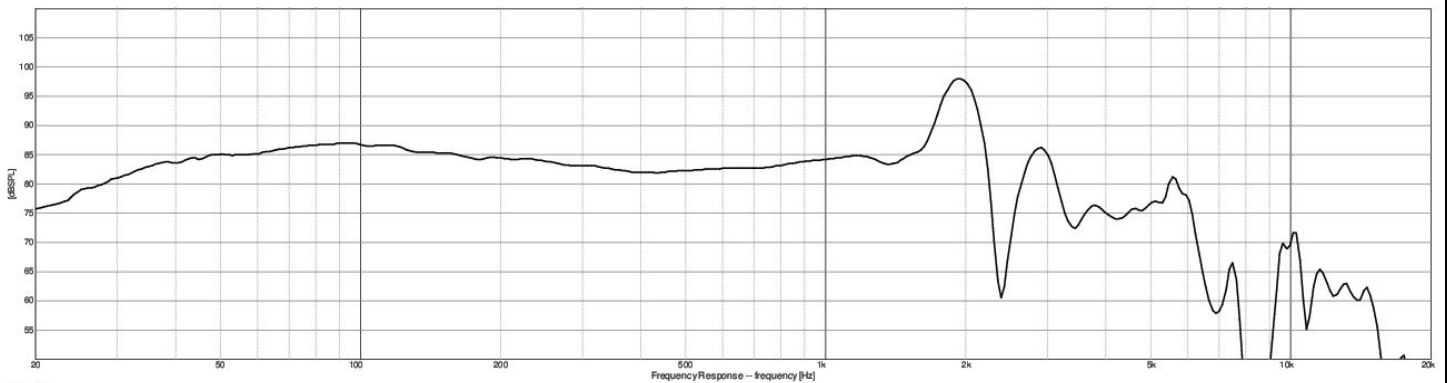
FEATURES

- Extensively vented motor eliminates compression and allows quiet excursion
- Extra-thick black anodized aluminum cone for maximum rigidity
- Triple shorting ring motor for ultra-low distortion
- 4-layer coil for high power handling
- Optimized parameters for small enclosures

IMPEDANCE/PHASE



FREQUENCY RESPONSE



Note: 1/24th octave smoothing - nearfield response included in graph below 450 Hz.

Black = 0°