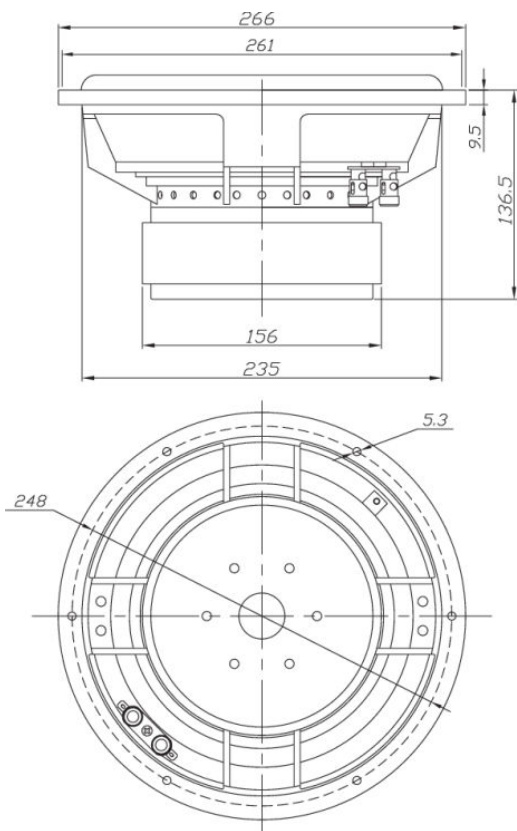




RSS265HF-4 10" Reference HF Subwoofer 4 Ohm

RSS265HF-4



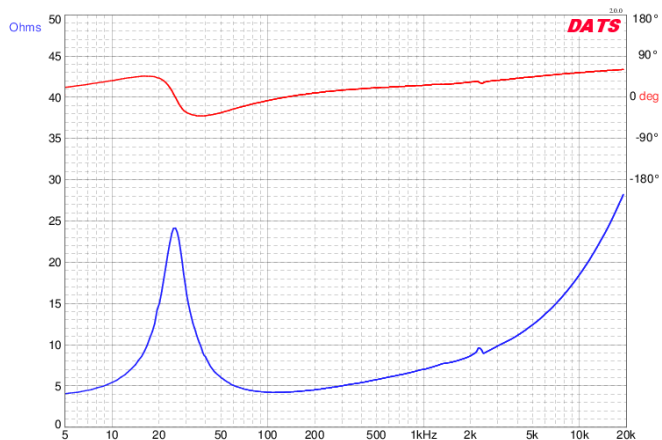
PARAMETERS

Impedance	4 ohms
Re	3.5 ohms
Le	0.96 mH @ 1 kHz
Fs	25.6 Hz
Qms	3.06
Qes	0.53
Qts	0.45
Mms	120g
Cms	0.32 mm/N
Sd	356.3 cm ²
Vd	438.3 cm ³
BL	11.43 Tm
Vas	54 liters
Xmax	12.3 mm
VC Diameter	64 mm
SPL	87.8 dB @ 2.83V/1m
RMS Power Handling	350 watts
Usable Frequency Range (Hz)	22 - 1,000 Hz

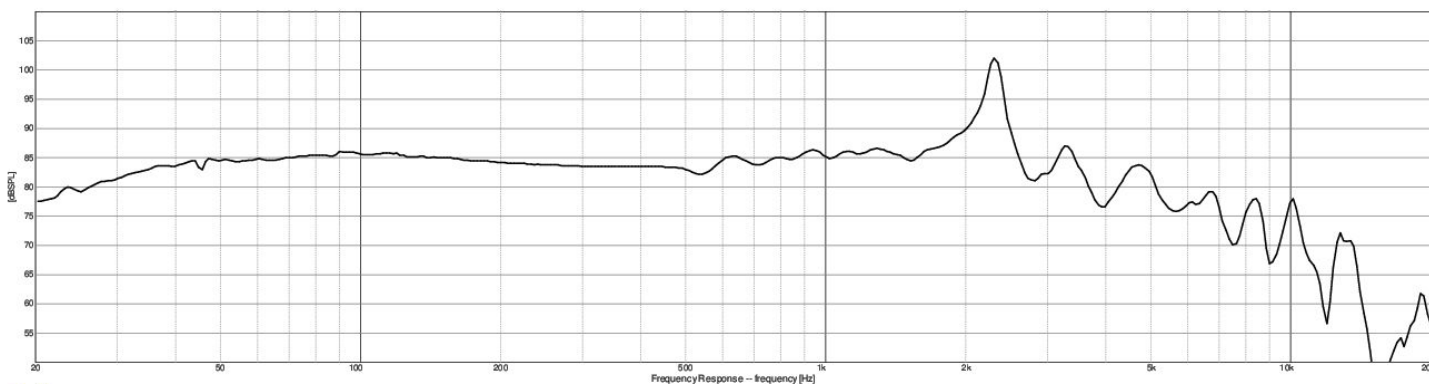
FEATURES

- Extensively vented motor eliminates compression and allows quiet excursion
- Lightweight black anodized aluminum cone for rigidity and lower moving mass
- Suitable for sealed or vented enclosures
- Triple shorting ring motor for ultra-low distortion
- 2-layer coil for reduced back EMF

IMPEDANCE/PHASE



FREQUENCY RESPONSE



Note: 1/24th octave smoothing - nearfield response included in graph below 450 Hz.

Black = 0°