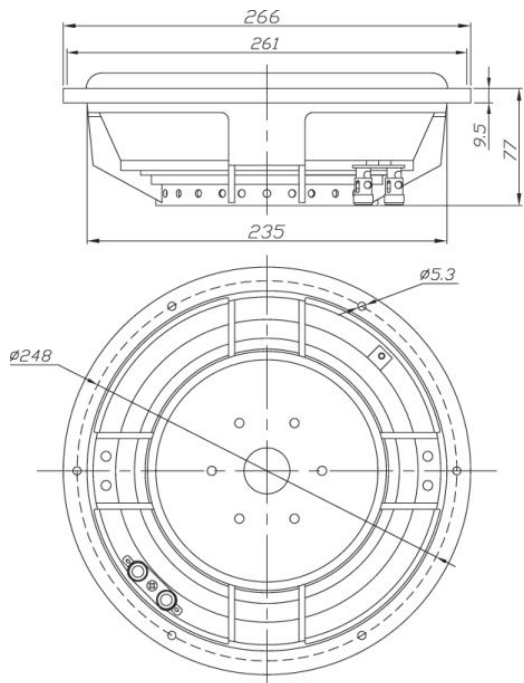




RSS265-PR 10" Aluminum Cone Passive Radiator

RSS265-PR



FEATURES

- SMS (Sandwich Mass System) permits greater linearity by minimizing angular torque
- Durable yet compliant suspension provides substantial linear travel and mechanical stability
- Rigid cast aluminum frame with thick black anodized aluminum cone
- Threaded rod with lock nut for easy adjustment of tuning frequency
- Includes 5-75 gram weighted disks for simple tuning adjustment

Default Parameters (driver only)

Fs	19.6 Hz
Qms	4.92
Mms	200g
Cms	0.33 mm/N
Sd	356.3 cm ²
Vd	855.1 cm ³
Vas	59.7 liters
Xmax	24 mm

Note: Parameters above are for the passive only with no additional mass added. Parameters with additional mass added are listed in the table below.

Parameters with Added Mass

RSS265-PR	0 disk	1 disk	2 disk	3 disk	4 disk	5 disk		
Mmpr	200	275	350	425	500	575	g	
Fpr	19.6	16.7	14.8	13.4	12.4	11.5	Hz	
Qmpr	4.92	5.76	6.50	7.17	7.77	8.33		
Vapr	59.7	These parameters remain the same						liters
Cmpr	0.331							mm/N
Rmpr	11.02							kg/s
Xmech	24							mm
Sd	356.3							cm²
Vd	855.1							cm³