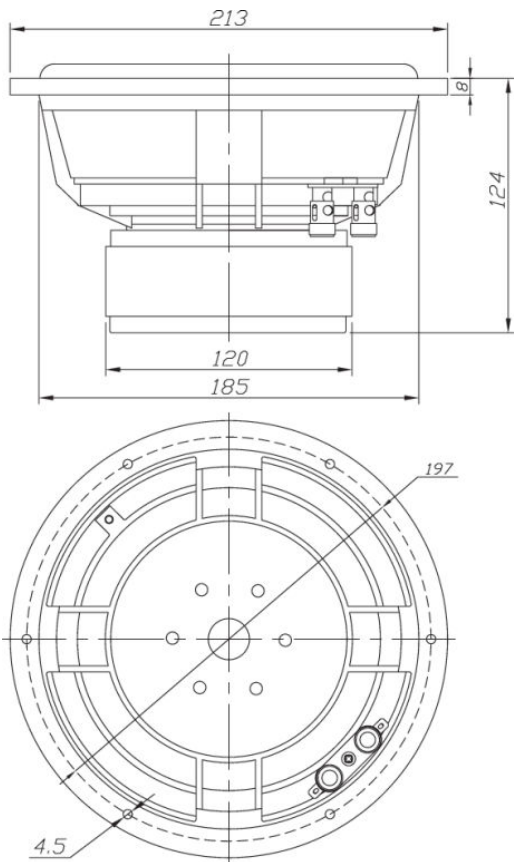




RSS210HF-4 8" Reference HF Subwoofer 4 Ohm

RSS210HF-4



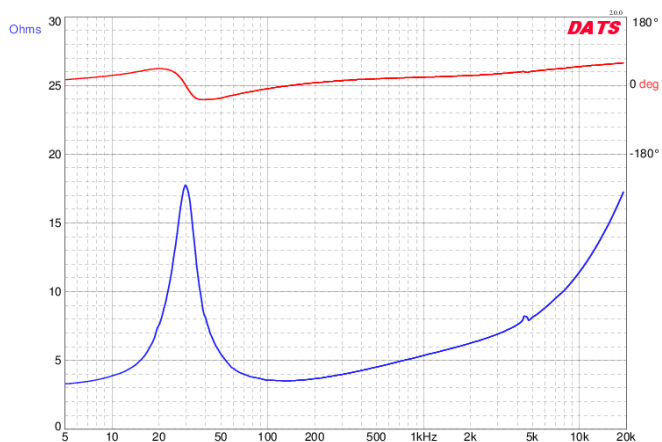
PARAMETERS

Impedance	4 ohms
Re	3.1 ohms
Le	0.7 mH @ 1 kHz
Fs	29.6 Hz
Qms	3.25
Qes	0.69
Qts	0.57
Mms	78.4g
Cms	0.37 mm/N
Sd	219.0 cm ²
Vd	197.1 cm ³
BL	8.12 Tm
Vas	23.7 liters
Xmax	9.0 mm
VC Diameter	51 mm
SPL	85.6 dB @ 2.83V/1m
RMS Power Handling	280 watts
Usable Frequency Range (Hz)	27 - 1,000 Hz

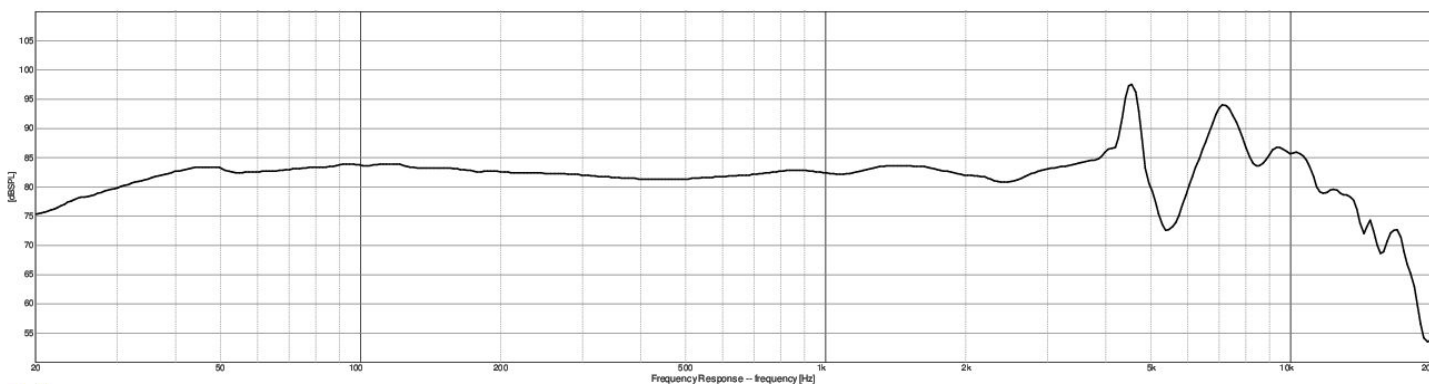
FEATURES

- Extensively vented motor eliminates compression and allows quiet excursion
- Lightweight black anodized aluminum cone for rigidity and lower moving mass
- Suitable for sealed or vented enclosures
- Triple shorting ring motor for ultra-low distortion
- 2-layer coil for reduced back EMF

IMPEDANCE/PHASE



FREQUENCY RESPONSE



Note: 1/24th octave smoothing - nearfield response included in graph below 450 Hz.

Black = 0°