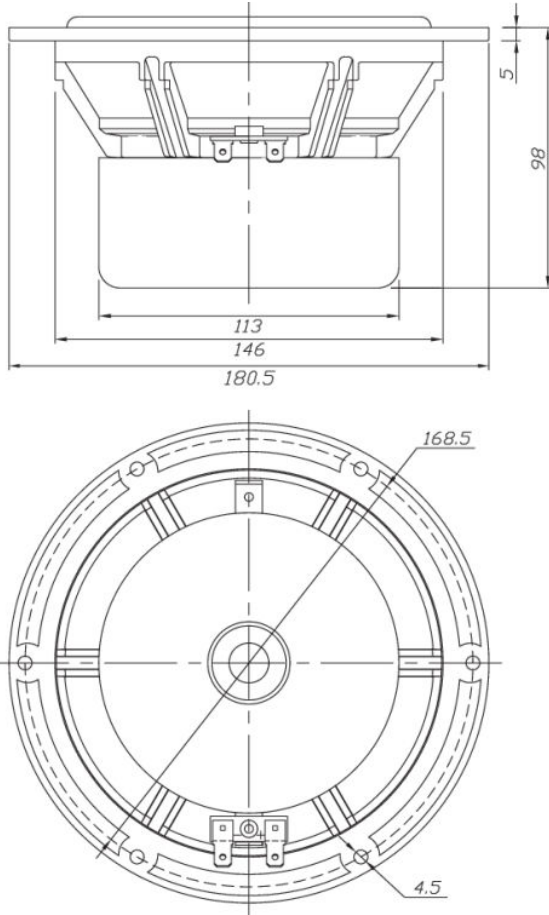




# RS180S-8 7" Reference Shielded Woofer 8 Ohm

RS180S-8



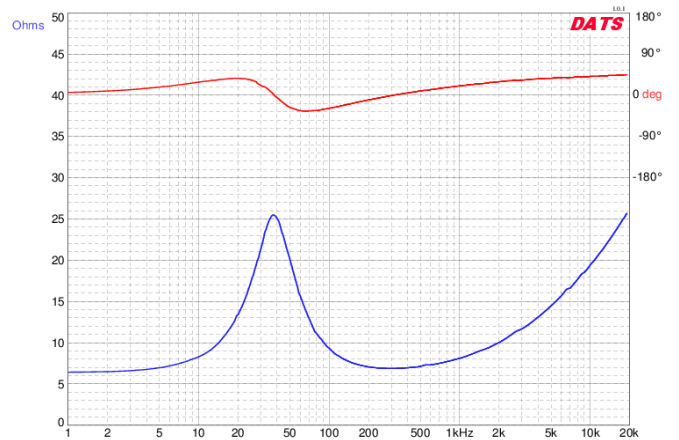
## PARAMETERS

Impedance	8 ohms
Re	6.4 ohms
Le	0.79 mH @ 1 kHz
Fs	37.7 Hz
Qms	1.45
Qes	0.49
Qts	0.36
Mms	17g
Cms	1.05 mm/N
Sd	124.7 cm <sup>2</sup>
Vd	74.8 cm <sup>3</sup>
BL	7.28 Tm
Vas	23 liters
Xmax	6.0 mm
VC Diameter	25 mm
SPL	86.9 dB @ 2.83V/1m
RMS Power Handling	60 watts
Usable Frequency Range (Hz)	41 - 3,600 Hz

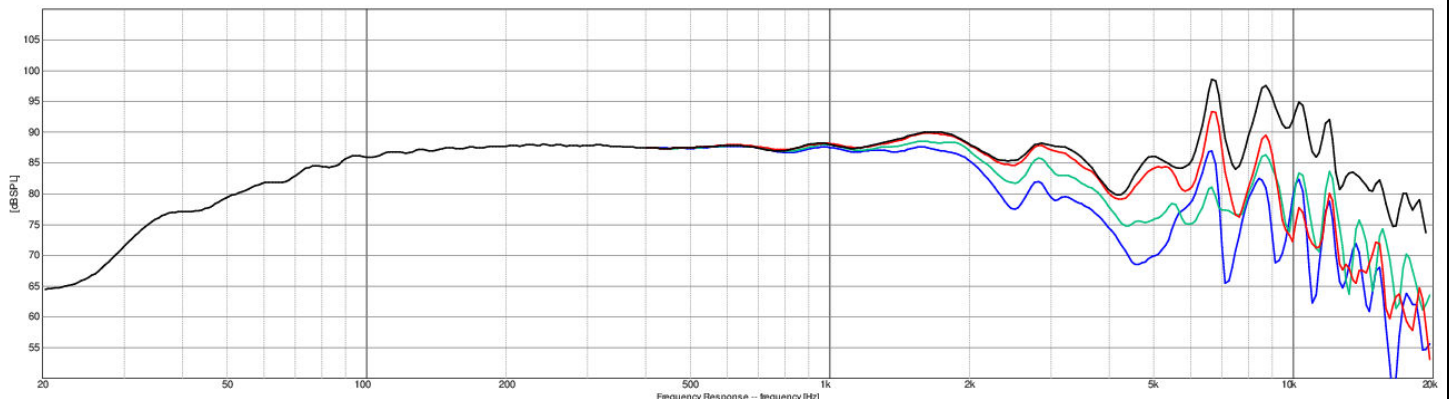
## FEATURES

- Long-excursion motor and suspension for strong bass performance
- Subtle yet high-tech look makes a bold cosmetic statement
- Ultra-low stray magnetic field allows extremely close proximity to CRT's

## IMPEDANCE/PHASE



## FREQUENCY RESPONSE



Note: 1/24<sup>th</sup> octave smoothing - nearfield response included in graph below 450 Hz.

Black = 0°  
Red = 15°  
Green = 30°  
Blue = 45°