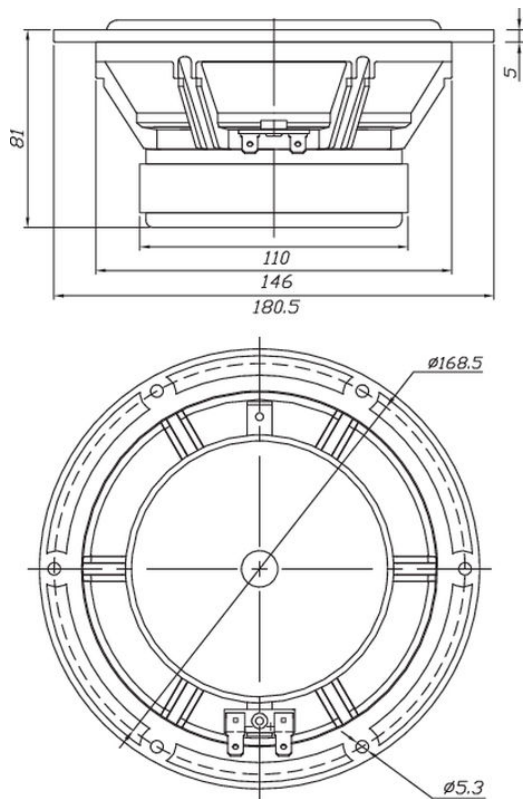




RS180P-8 7" Reference Paper Woofer 8 Ohm

RS180P-8



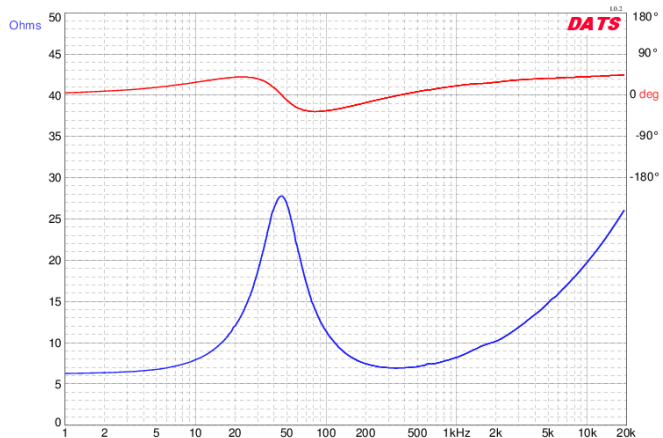
PARAMETERS

Impedance	8 ohms
Re	6.3 ohms
Le	0.84 mH @ 1 kHz
Fs	45.8 Hz
Qms	1.49
Qes	0.44
Qts	0.34
Mms	12.4g
Cms	0.98 mm/N
Sd	126.7 cm ²
Vd	76.0 cm ³
BL	7.16 Tm
Vas	22 liters
Xmax	6 mm
VC Diameter	38.5 mm
SPL	89.8 dB @ 2.83V/1m
RMS Power Handling	60 watts
Usable Frequency Range (Hz)	45 - 8,000 Hz

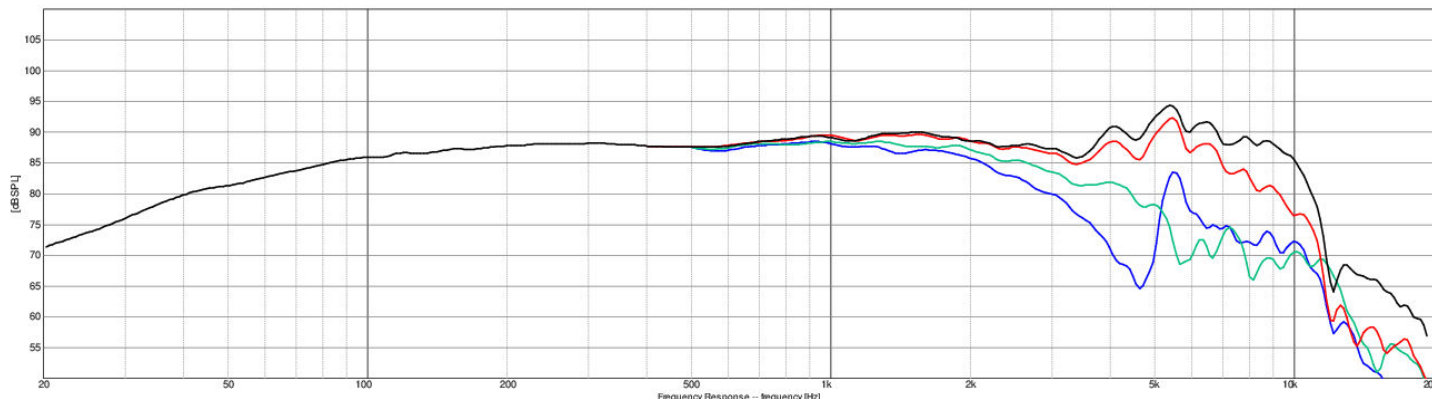
FEATURES

- Three-part paper composite diaphragm featuring paper, Kevlar®, and glass fibers
- Similar cosmetics and design features as original Reference Series with low-distortion motor, 6-hole cast frame, rubber surround, and solid aluminum phase plug
- Perfect as woofers, midwoofers, or dedicated midrange drivers
- 6 mm Xmax and 89 dB sensitivity

IMPEDANCE/PHASE



FREQUENCY RESPONSE



Note: 1/24th octave smoothing - nearfield response included in graph below 450 Hz.

Black = 0°
Red = 15°
Green = 30°
Blue = 45°