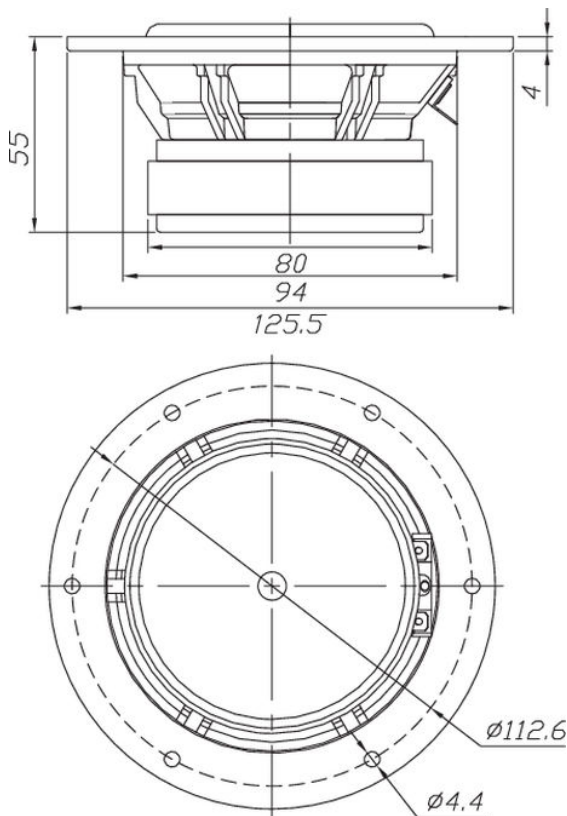




# RS125P-4 5" Reference Paper Woofer 4 Ohm

RS125P-4



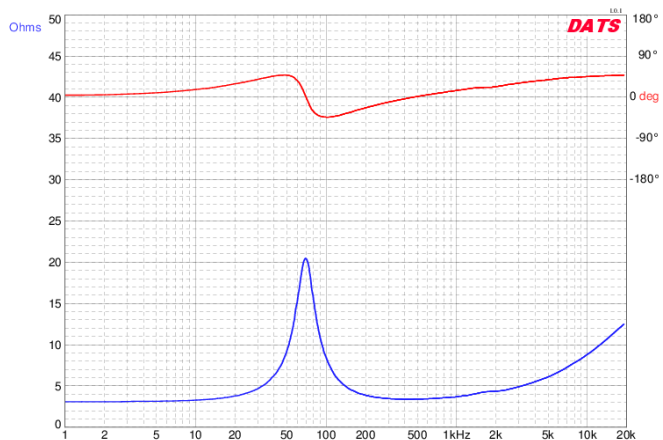
## PARAMETERS

Impedance	4 ohms
Re	3.1 ohms
Le	0.32 mH @ 1 kHz
Fs	70 Hz
Qms	3.19
Qes	0.57
Qts	0.48
Mms	5.1g
Cms	1.02 mm/N
Sd	54.11 cm <sup>2</sup>
Vd	21.64 cm <sup>3</sup>
BL	3.49 Tm
Vas	3.98 liters
Xmax	4 mm
VC Diameter	25 mm
SPL	90 dB @ 2.83V/1m
RMS Power Handling	30 watts
Usable Frequency Range (Hz)	70 - 12,000 Hz

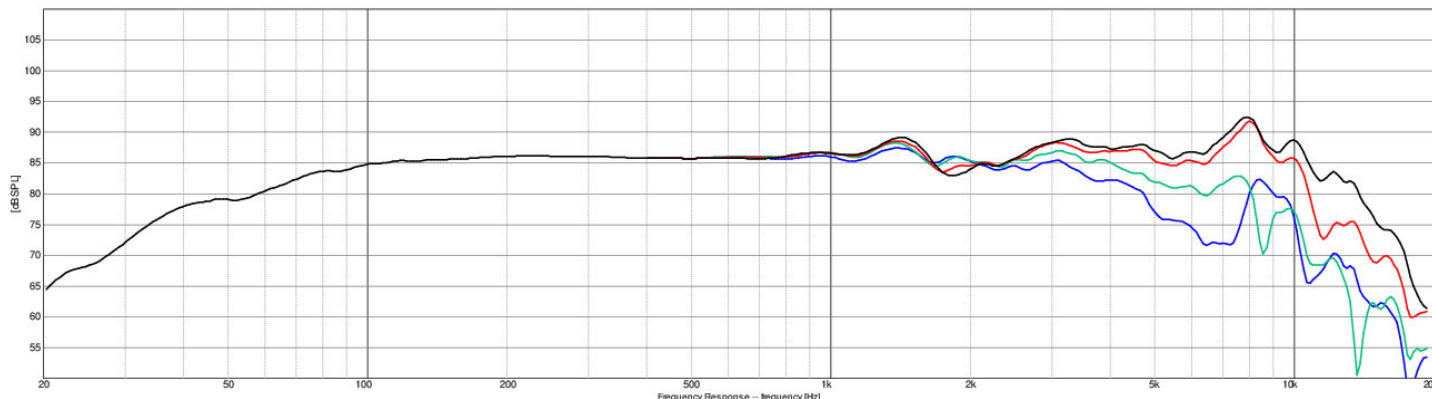
## FEATURES

- Three-part paper composite diaphragm featuring paper, Kevlar, and glass fibers
- Similar cosmetics and design features as original Reference Series with low-distortion motor, 6-hole cast frame, rubber surround, and solid aluminum phase plug
- Perfect for use as a woofer, midwoofer, or dedicated midrange driver

## IMPEDANCE/PHASE



## FREQUENCY RESPONSE



Note: 1/24<sup>th</sup> octave smoothing - nearfield response included in graph below 450 Hz.

Black = 0°  
Red = 15°  
Green = 30°  
Blue = 45°