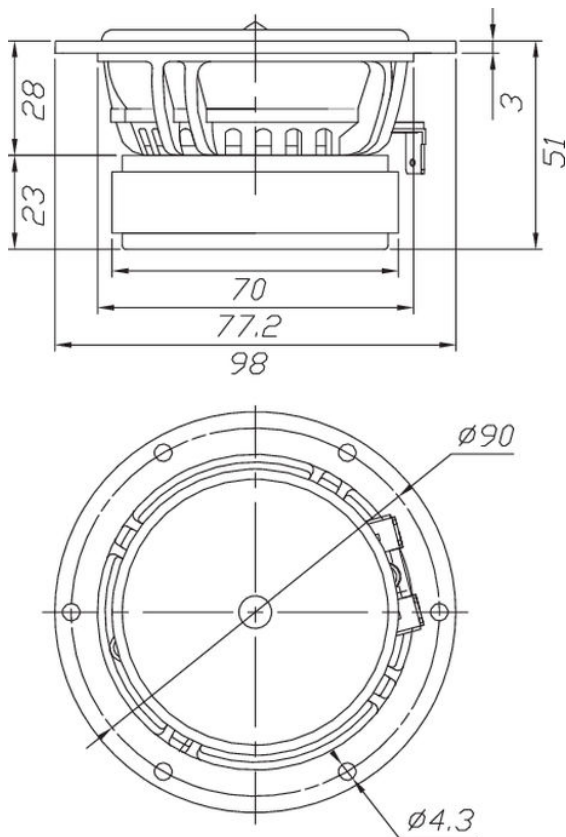




RS100P-4 4" Reference Paper Woofer 4 Ohm

RS100P-4



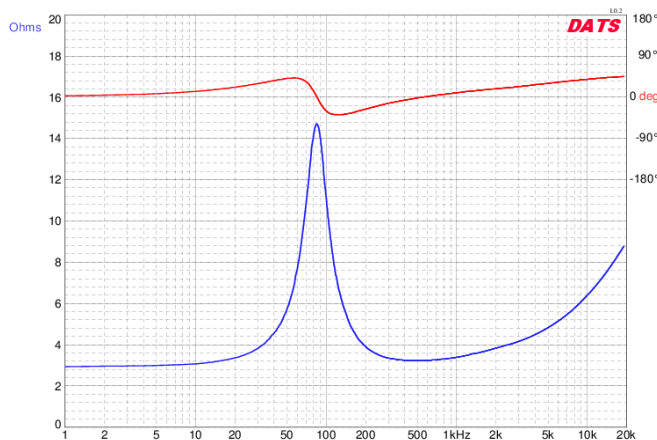
PARAMETERS

Impedance	4 ohms
Re	3 ohms
Le	0.26 mH @ 1 kHz
Fs	84.8 Hz
Qms	2.67
Qes	0.67
Qts	0.54
Mms	3.7g
Cms	0.95 mm/N
Sd	36.3 cm ²
Vd	15.0 cm ³
BL	2.95 Tm
Vas	1.86 liters
Xmax	4.0 mm
VC Diameter	25 mm
SPL	88.5 dB @ 2.83V/1m
RMS Power Handling	30 watts
Usable Frequency Range (Hz)	85 - 13,500 Hz

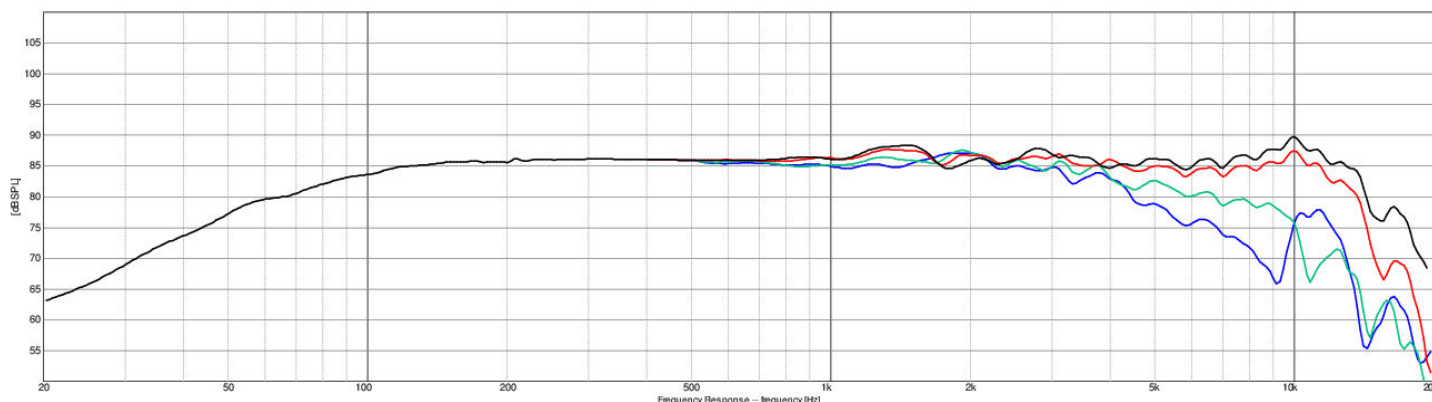
FEATURES

- Three-part paper composite diaphragm featuring paper, Kevlar, and glass fibers
- Similar cosmetics and design features as original Reference Series with low-distortion
- Perfect for use a woofer, midwoofer, or dedicated midrange driver

IMPEDANCE/PHASE



FREQUENCY RESPONSE



Note: 1/24th octave smoothing - nearfield response included in graph below 450 Hz.

Black = 0°
Red = 15°
Green = 30°
Blue = 45°