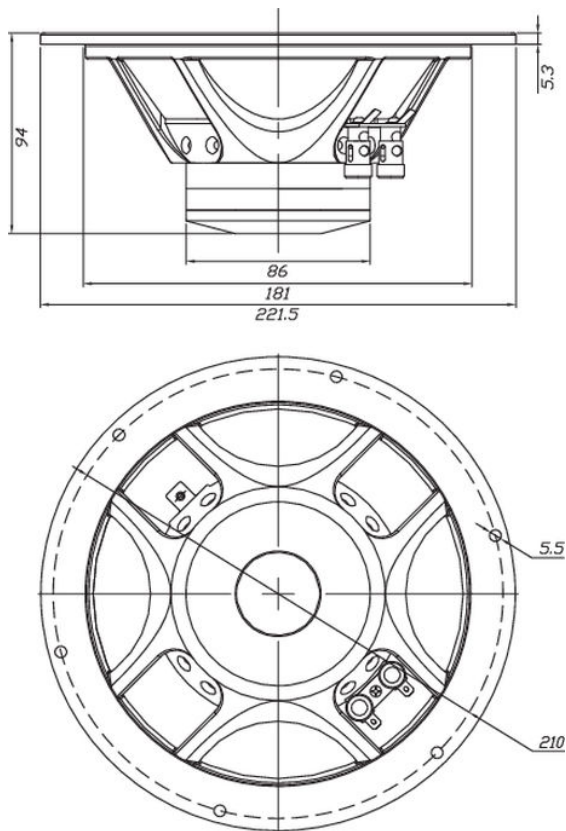




PS220-8 8" Point Source Full-Range Neo Driver

PS220-8



PARAMETERS

Impedance	8 ohms
Re	6.2 ohms
Le	0.73 mH @ 1 kHz
Fs	46.4 Hz
Qms	5.73
Qes	0.40
Qts	0.38
Mms	8.4g
Cms	1.41 mm/N
Sd	216.4 cm ²
Vd	99.6 cm ³
BL	6.15 Tm
Vas	90.2 liters
Xmax	4.8 mm
VC Diameter	25.4 mm
SPL	96.5 dB @ 2.83V/1m
RMS Power Handling	40 watts
Usable Frequency Range (Hz)	40 - 25,000 Hz

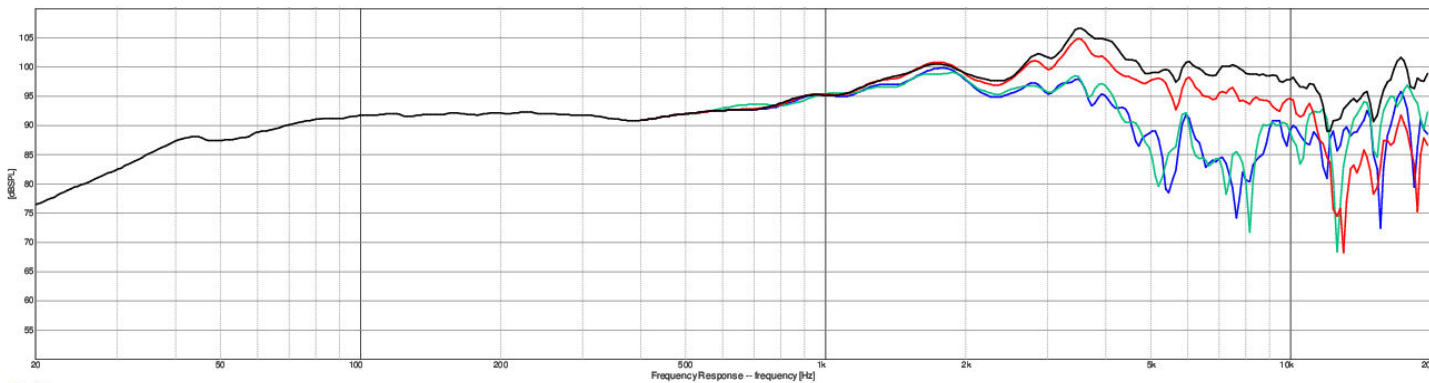
FEATURES

- High sensitivity/minimal distortion-an ideal match for lower powered amplifiers
- Parasitic HF cone and carefully engineered phase plug extend on- and off-axis response
- Solid bass performance, thanks to usefully high excursion capability (5 mm Xmax)
- Optimized neodymium magnet provides high motor strength
- Low-mass copper clad aluminum voice coil

IMPEDANCE/PHASE



FREQUENCY RESPONSE



Note: 1/24th octave smoothing - nearfield response included in graph below 450 Hz.

Black = 0°
Red = 15°
Green = 30°
Blue = 45°