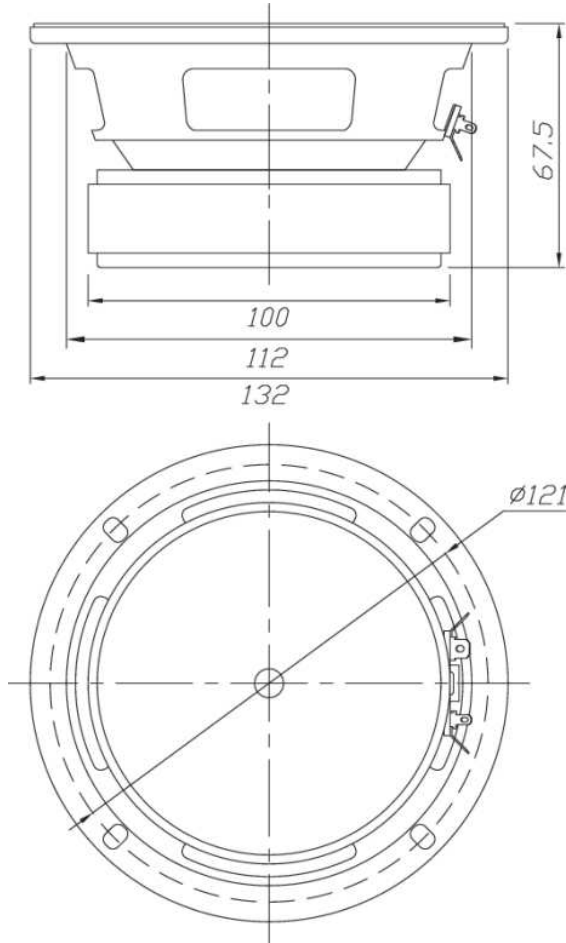




# PA130-16 5" Full Range PA Driver 16 Ohm

PA130-16



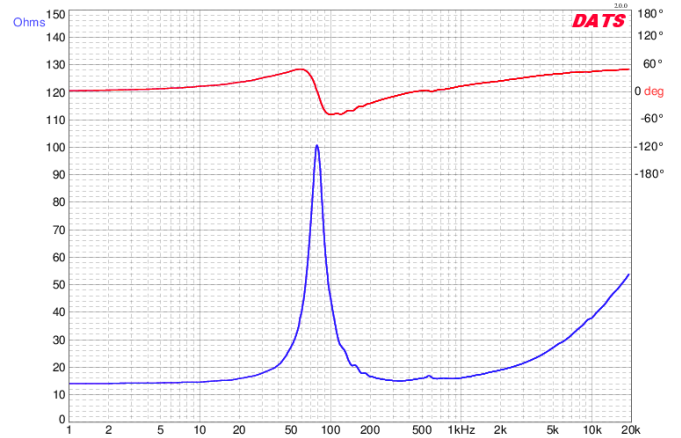
## PARAMETERS

Impedance	16 ohms
Re	14.1 ohms
Le	0.57 mH @ 1 kHz
Fs	78.7 Hz
Qms	4.37
Qes	0.71
Qts	0.61
Mms	6.8g
Cms	0.61 mm/N
Sd	73.9 cm <sup>2</sup>
Vd	N/A
BL	8.14 Tm
Vas	0.18 ft. <sup>3</sup>
Xmax	2 mm
VC Diameter	1"
SPL	84.8 dB 2.83V/1m
RMS Power Handling	50 watts
Usable Frequency Range (Hz)	80 - 15,000 Hz

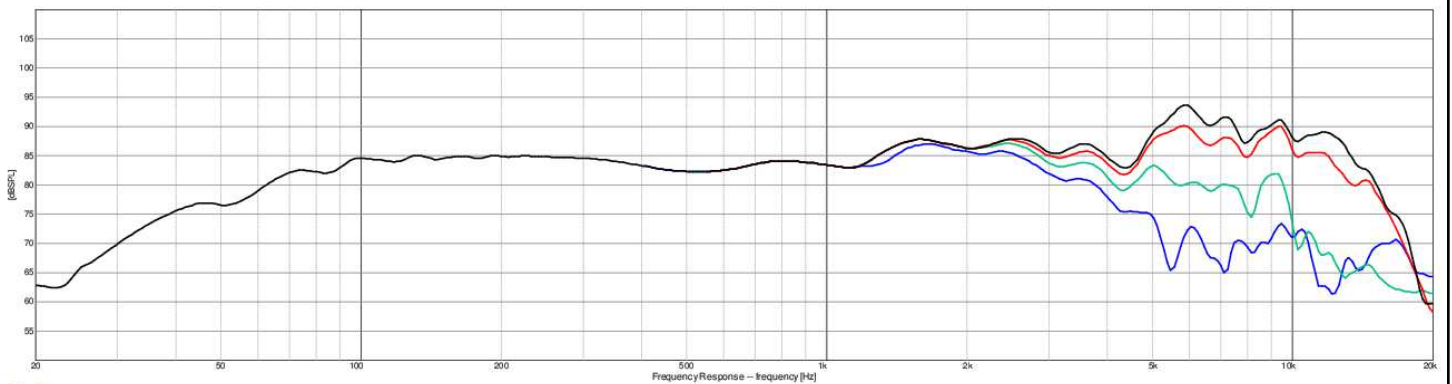
## FEATURES

- Great low cost driver
- 16 Ohm impedance perfect for dual driver or line array applications
- Broad frequency coverage and flat midrange ensure that vocals and instruments sound perfect
- Rugged construction

## IMPEDANCE/PHASE



## FREQUENCY RESPONSE



Note: 1/24<sup>th</sup> octave smoothing - nearfield response included in graph below 450 Hz.

Black = 0°  
 Red = 15°  
 Green = 30°  
 Blue = 45°