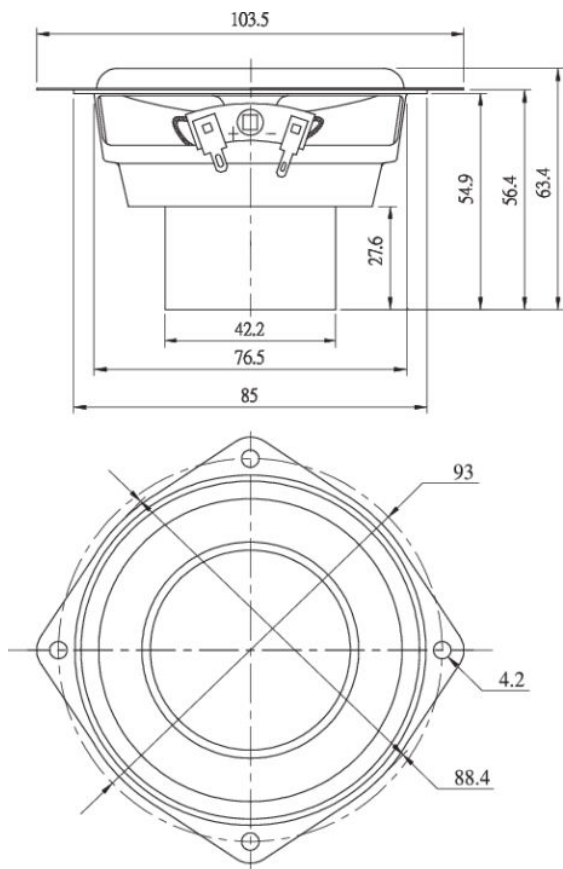




ND91-4 3-1/2" Aluminum Cone Full-Range Driver 4 Ohm

ND91-4



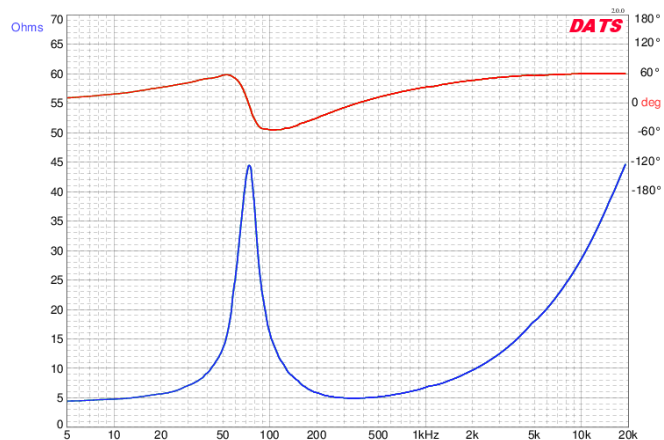
PARAMETERS

Impedance	4 ohms
Re	4.3 ohms
Le	0.83 mH @ 1 kHz
Fs	74 Hz
Qms	4.24
Qes	0.45
Qts	0.41
Mms	4.8g
Cms	0.96 mm/N
Sd	30.4 cm ²
Vd	12.2 cm ³
BL	4.59 Tm
Vas	1.4 liters
Xmax	4.6mm
VC Diameter	25 mm
SPL	85.6 dB @ 2.83V/1m
RMS Power Handling	30 watts
Usable Frequency Range (Hz)	65 - 17,000 Hz

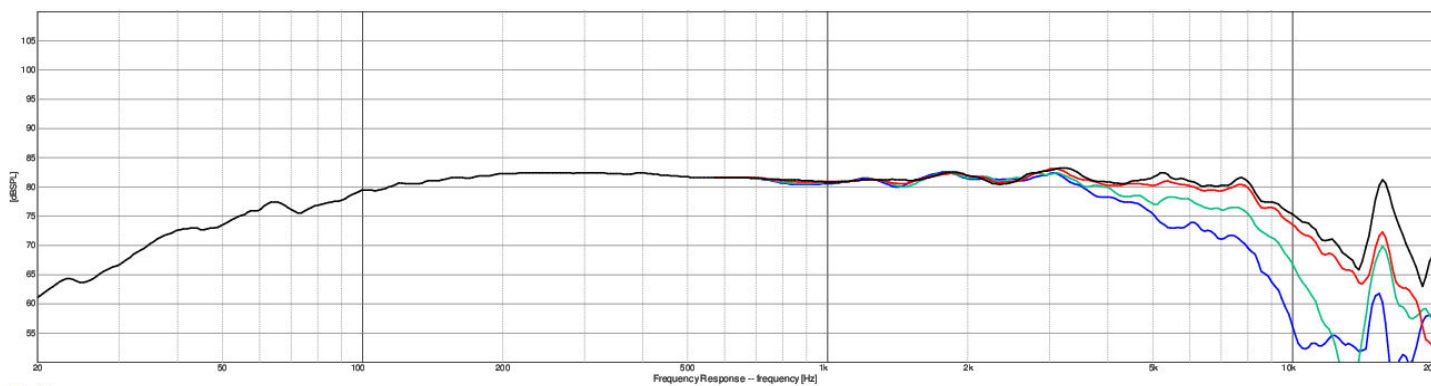
FEATURES

- Low distortion, full-range 65 Hz to 17 kHz performance
- Rubber-edged black anodized aluminum alloy cone
- Large excursion capability — 4.6 mm Xmax, 25 mm peak
- Self-shielded Neo-Balanced motor structure with copper alloy shorting ring
- 1" 4-layer underhung voice coil with polyimide former

IMPEDANCE/PHASE



FREQUENCY RESPONSE



Note: 1/24th octave smoothing - nearfield response included in graph below 450 Hz.

Black = 0°
Red = 15°
Green = 30°
Blue = 45°