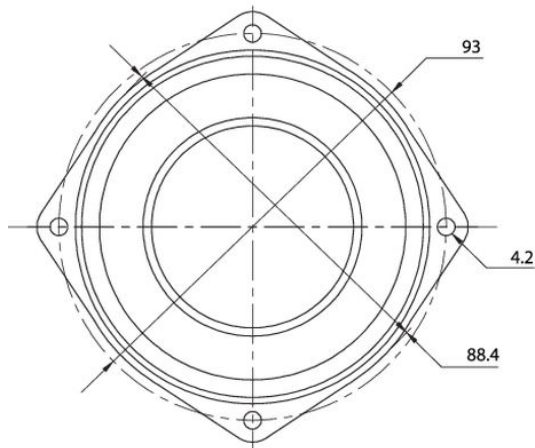
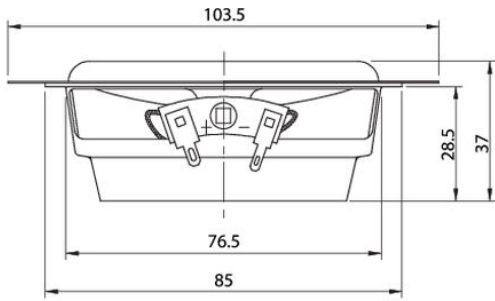




ND90-PR 3-1/2" Aluminum Cone Passive Radiator

ND90-PR



FEATURES

- Rigid black anodized aluminum alloy cone
- High excursion capability: 18 mm peak to peak
- Same "family look" as ND Series woofers
- Adjustable mass for a vast range of tuning frequencies

Default Parameters (driver only)

Fs	53.8 Hz
Qms	6.15
Mms	8.1g
Cms	1.09 mm/N
Sd	31.2 cm ²
Vd	N/A
Vas	1.5 liters
Xmax	9 mm
Rms	0.44 kg/s

Note: Parameters above are for the passive only with no additional mass added.