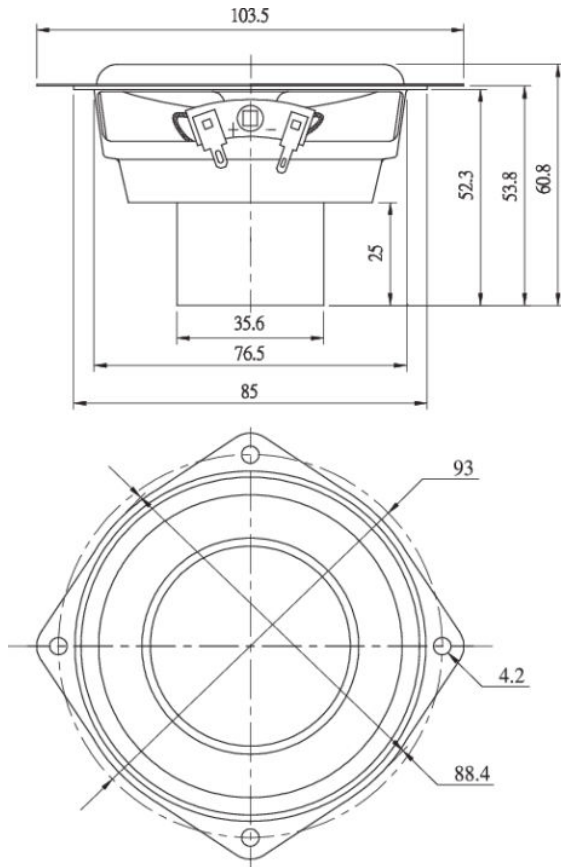




# ND90-8 3-1/2" Aluminum Cone Full-Range Driver 8 Ohm

ND90-8



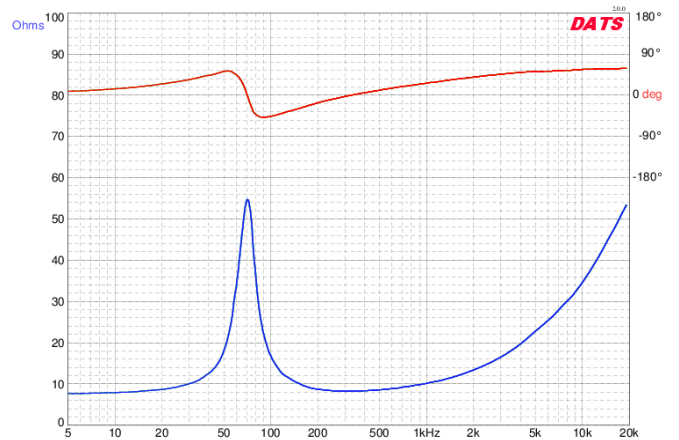
## PARAMETERS

|                             |                      |
|-----------------------------|----------------------|
| Impedance                   | 8 ohms               |
| Re                          | 7.5 ohms             |
| Le                          | 1.08 mH @ 1 kHz      |
| Fs                          | 70.7 Hz              |
| Qms                         | 4.71                 |
| Qes                         | 0.75                 |
| Qts                         | 0.65                 |
| Mms                         | 4.2g                 |
| Cms                         | 1.22 mm/N            |
| Sd                          | 31.2 cm <sup>2</sup> |
| Vd                          | 12.5 cm <sup>3</sup> |
| BL                          | 4.3 Tm               |
| Vas                         | 1.77 liters          |
| Xmax                        | 4.0 mm               |
| VC Diameter                 | 19 mm                |
| SPL                         | 81.4 dB @ 2.83V/1m   |
| RMS Power Handling          | 20 watts             |
| Usable Frequency Range (Hz) | 80 - 15,000 Hz       |

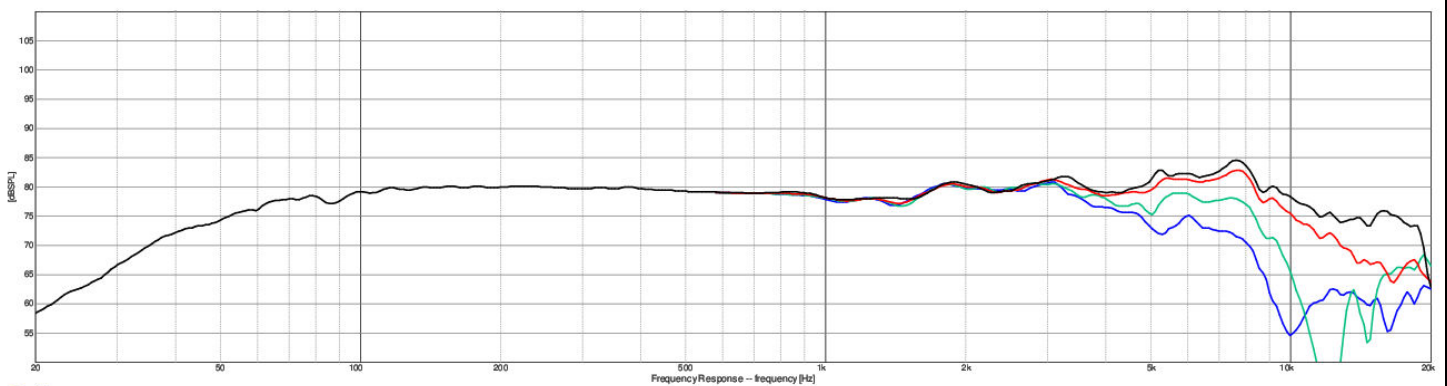
## FEATURES

- Direct replacement for Aura NS3
- Rubber-edged anodized aluminum alloy cone
- Large excursion capability 4 mm Xmax, 20 mm peak
- Self-shielded Neo-Balanced motor structure
- Full-range 80 Hz to 15 kHz performance

## IMPEDANCE/PHASE



## FREQUENCY RESPONSE



Note: 1/24<sup>th</sup> octave smoothing - nearfield response included in graph below 450 Hz.

Black = 0°  
Red = 15°  
Green = 30°  
Blue = 45°