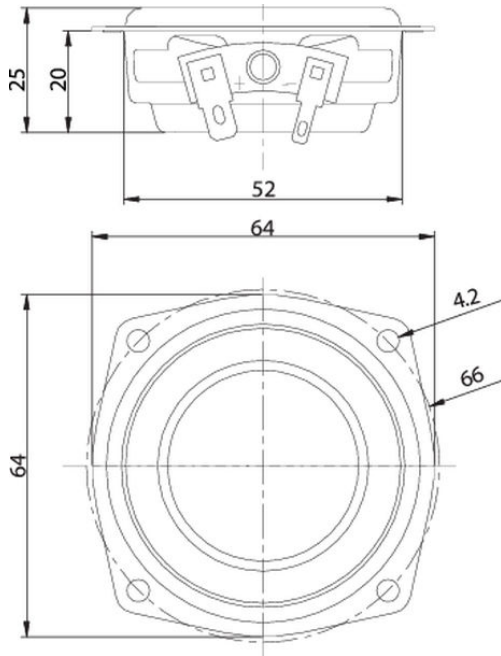




ND65-PR 2-1/2" Aluminum Cone Passive Radiator

ND65-PR



FEATURES

- Rigid black anodized aluminum alloy cone
- High excursion capability: 10 mm peak to peak
- Same "family look" as ND Series woofers
- Mass adjustable for a vast range of tuning frequencies

Default Parameters (driver only)

Fs	73.0 Hz
Qms	2.69
Mms	3.2g
Cms	1.45 mm/N
Sd	15.6 cm ²
Vd	N/A
Vas	0.5 liters
Xmax	5 mm
Rms	0.56 kg/s

Note: Parameters above are for the passive only with no additional mass added.