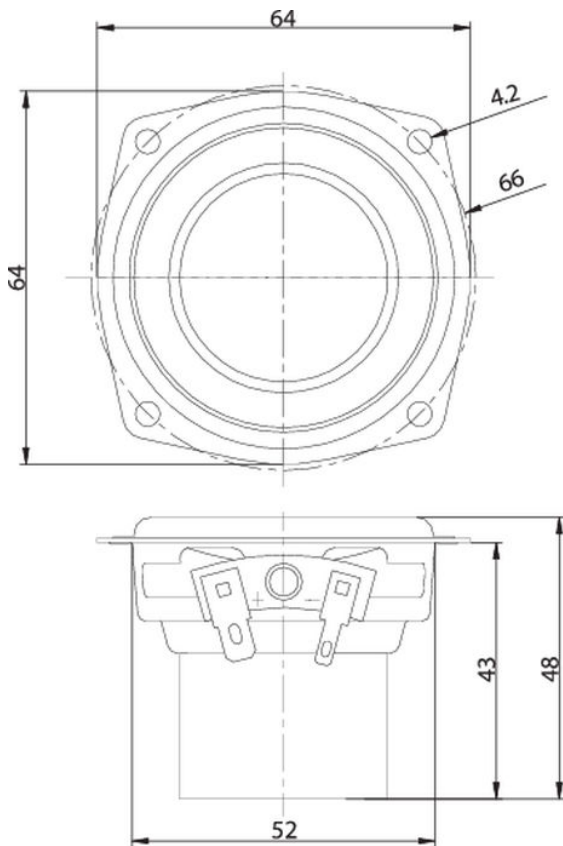




ND65-4 2-1/2" Aluminum Cone Full-Range Driver 4 Ohm

ND65-4



PARAMETERS

Impedance	4 ohms
Re	3.5 ohms
Le	0.44 mH @1 kHz
Fs	89.5 Hz
Qms	5.56
Qes	0.68
Qts	0.61
Mms	2.5g
Cms	1.26 mm/N
Sd	15.6 cm ²
Vd	5.4 cm ³
BL	2.68 Tm
Vas	0.53 liters
Xmax	3.5 mm
VC Diameter	19 mm
SPL	83 dB @ 2.83V/1m
RMS Power Handling	15 watts
Usable Frequency Range (Hz)	85 - 20,000 Hz

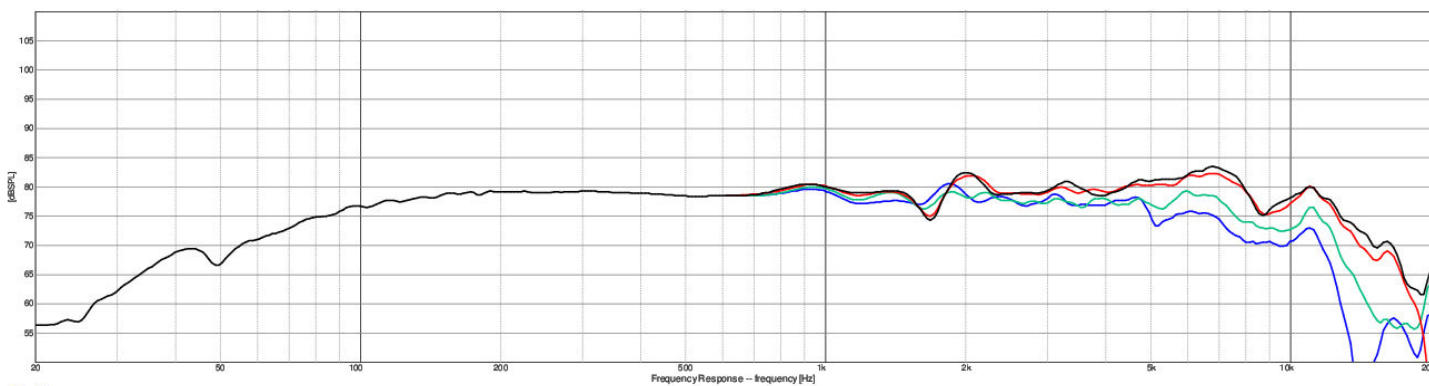
FEATURES

- Rubber-edged aluminum alloy cone
- Large excursion capability
- Self-shielded Neo-Balanced motor structure
- 4-layer underhung voice coil with polyimide former
- High power handling

IMPEDANCE/PHASE



FREQUENCY RESPONSE



Note: 1/24th octave smoothing - nearfield response included in graph below 450 Hz.

Black = 0°
Red = 15°
Green = 30°
Blue = 45°