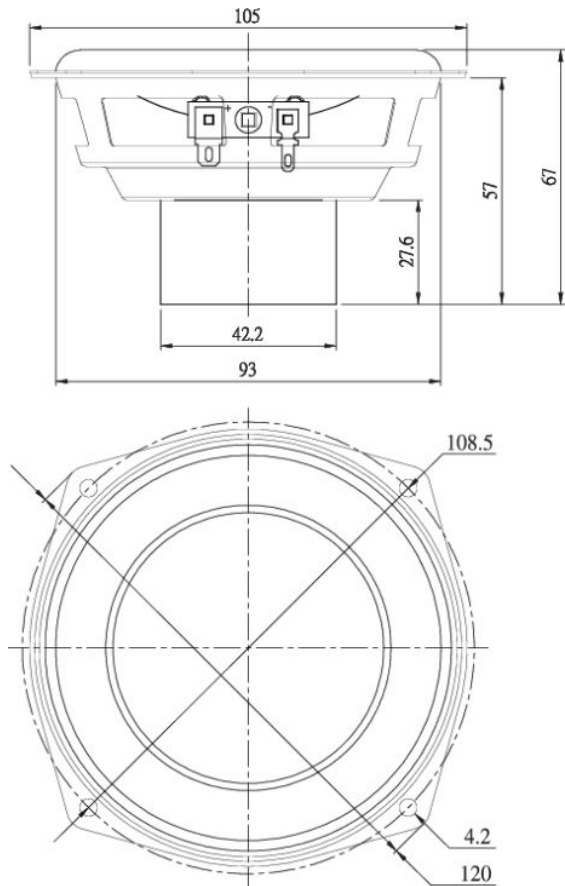




# ND105-8 4" Aluminum Cone Midbass Driver 8 Ohm

ND105-8



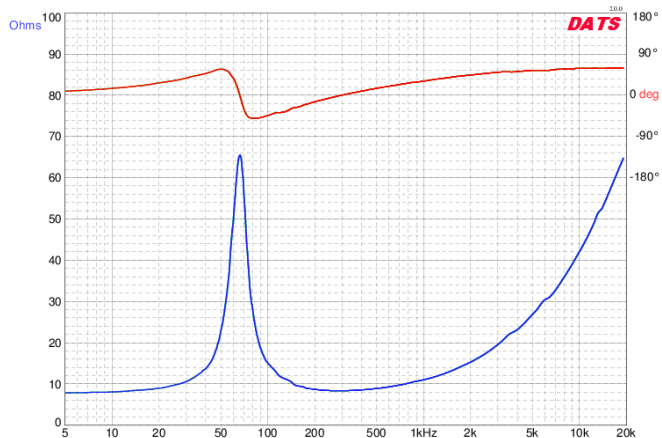
## PARAMETERS

Impedance	8 ohms
Re	7.7 ohms
Le	1.25 mH @ 1 kHz
Fs	66.6 Hz
Qms	5.57
Qes	0.74
Qts	0.66
Mms	6.8g
Cms	0.84 mm/N
Sd	51.5 cm <sup>2</sup>
Vd	20.6 cm <sup>3</sup>
BL	0.84 Tm
Vas	2.97 liters
Xmax	4.0 mm
VC Diameter	25 mm
SPL	82.7 dB @ 2.83V/1m
RMS Power Handling	30 watts
Usable Frequency Range (Hz)	60 - 10,000 Hz

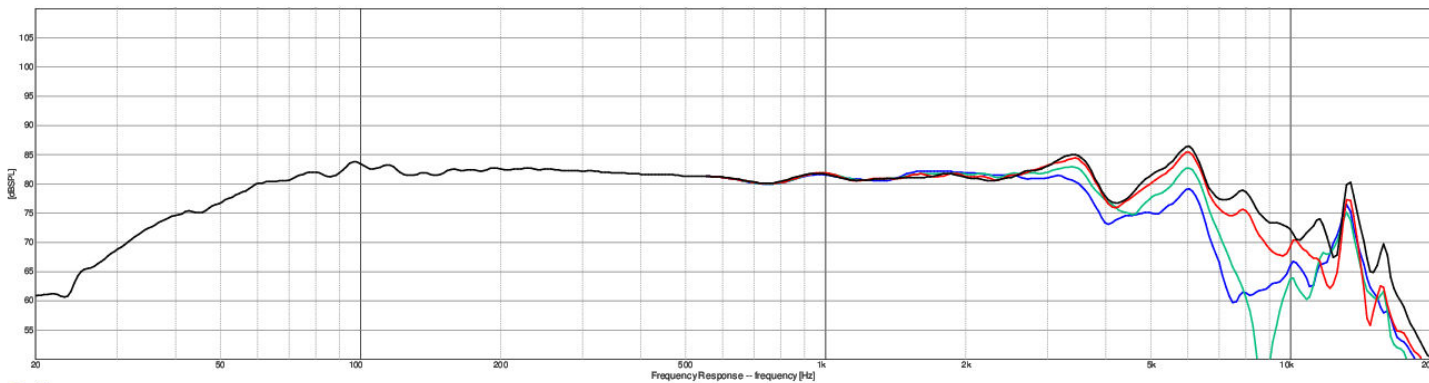
## FEATURES

- Extended-range 60 Hz to 10 kHz performance
- Rubber-edged aluminum alloy cone
- Large excursion capability 4 mm Xmax, 20 mm peak
- Self-shielded Neo-Balanced motor structure
- 1" 4-layer underhung voice coil with polyimide former

## IMPEDANCE/PHASE



## FREQUENCY RESPONSE



Note: 1/24<sup>th</sup> octave smoothing - near-field response included in graph below 450 Hz.

Black = 0°  
Red = 15°  
Green = 30°  
Blue = 45°