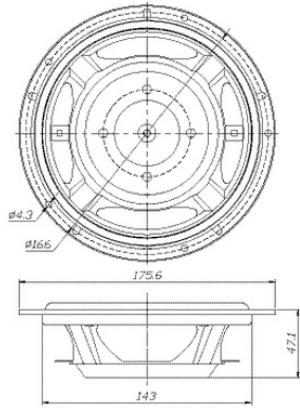




## DSA175-PR 6-1/2" Designer Series Aluminum Cone Passive Radiator



### FEATURES

- Perfect match for Dayton Audio's aluminum cone Designer Series drivers
- Rear mounted screw allows easy mass adjustment for custom tuning
- Cosmetic frame edge looks great even when surface mounted
- Allows tuning small enclosures lower than using conventional ports

### PARAMETERS

Fs	26.8 Hz
Qms	4.3
Mms	30.7g
Cms	1.15 mm/M
Sd	128.7 cm <sup>2</sup>
Vd	102.9 cm <sup>3</sup>
Vas	27.1 liters
Xmax	8 mm
Rms	1.2 kg/s

**Note:** Parameters above are for the passive only with no additional mass added.