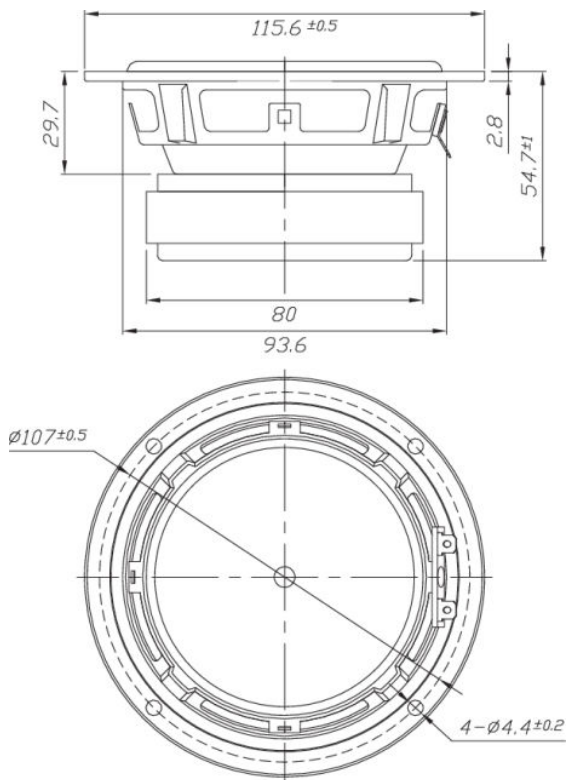




DS115-8 4" Designer Series Woofer Speaker 8 Ohm

DS115-8



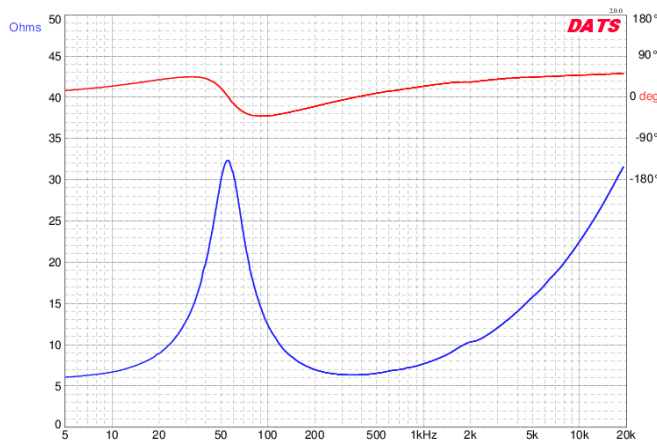
PARAMETERS

Impedance	8 ohms
Re	5.8 ohms
Le	0.8 mH @ 1 kHz
Fs	55.2 Hz
Qms	2.10
Qes	0.46
Qts	0.38
Mms	7.9g
Cms	1.05 mm/N
Sd	54.1 cm ²
Vd	22.2 cm ³
BL	5.88 Tm
Vas	4.33 liters
Xmax	4.1 mm
VC Diameter	25.4 mm
SPL	85.3 dB @ 2.83V/1m
RMS Power Handling	35 watts
Usable Frequency Range (Hz)	60 - 8,000 Hz

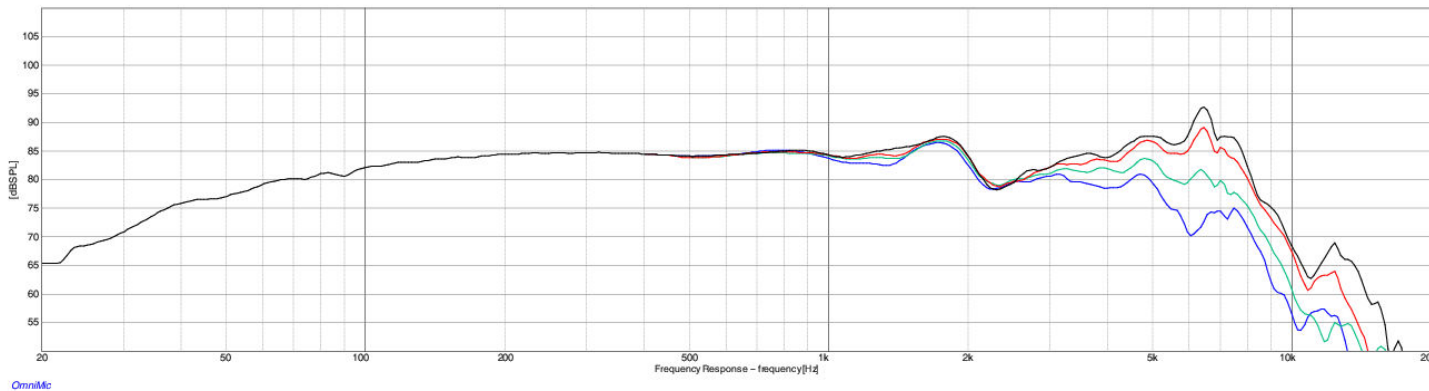
FEATURES

- Optimized to yield a low 3 dB down point and high potential output in a reasonably sized cabinet
- Coated paper cone, half roll rubber surround for durability and accurate reproduction
- Cosmetic frame with low profile lip, designed for front mounting—no countersinking required!
- Vented pole piece for minimized power compression and maximized reliability
- Generous Xmax capability encourages use of moderate bass boost to tailor the response

IMPEDANCE/PHASE



FREQUENCY RESPONSE



Note: 1/24th octave smoothing - nearfield response included in graph below 450 Hz.

Black = 0°
Red = 15°
Green = 30°
Blue = 45°