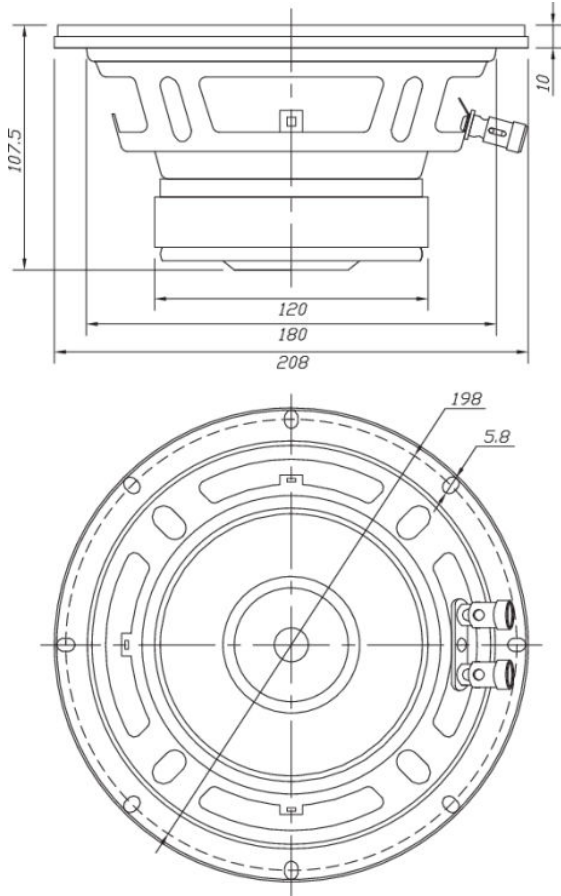




DCS205-4 8" Classic Subwoofer 4 Ohm

DCS205-4



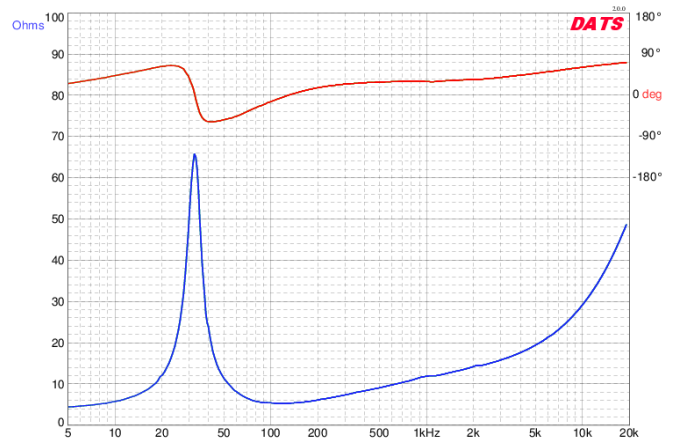
PARAMETERS

Impedance	4 ohms
Re	3.9 ohms
Le	1.78 mH
Fs	32.3 Hz @ 1 kHz
Qms	6.28
Qes	0.4
Qts	0.37
Mms	57.7g
Cms	0.42 mm/N
Sd	213.8 cm ²
Vd	188.2 cm ³
BL	10.7 Tm
Vas	27 liters
Xmax	8.8 mm
VC Diameter	38.5 mm
SPL	88.6 dB @ 2.83V/1m
RMS Power Handling	150 watts
Usable Frequency Range (Hz)	30 - 200 Hz

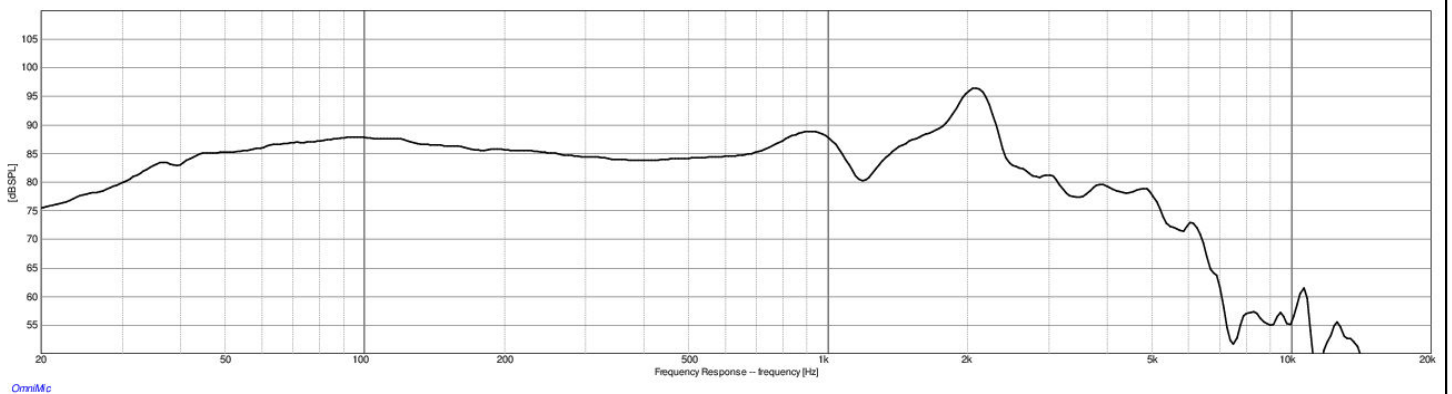
FEATURES

- Sturdy stamped steel frame
- Vented pole piece and bumped back plate
- Inductance-reducing copper pole piece cap
- Treated non-pressed paper/Kevlar cone with rubber surround
- 4-layer VC with polyimide former

IMPEDANCE/PHASE



FREQUENCY RESPONSE



Note: 1/12th octave smoothing - nearfield response included in graph below 450 Hz.

Black = 0°