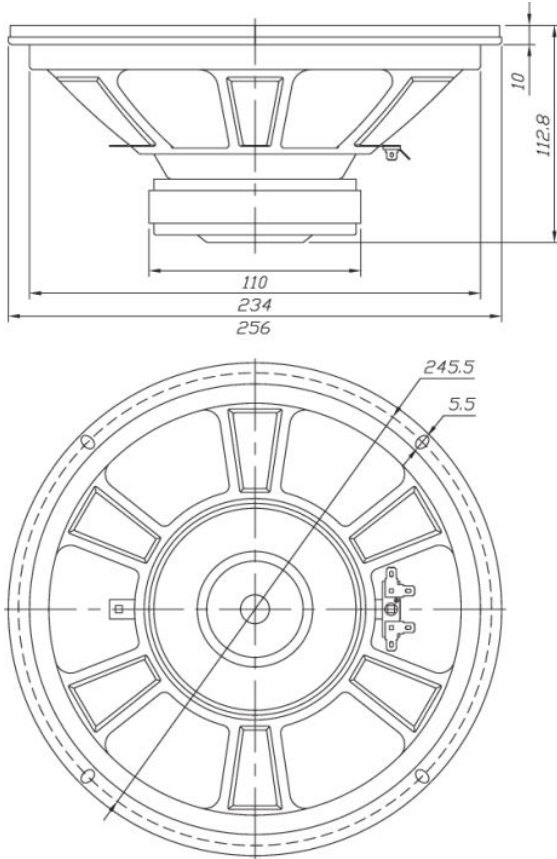




# DC250-8 10" Classic Woofer 8 Ohm

DC250-8



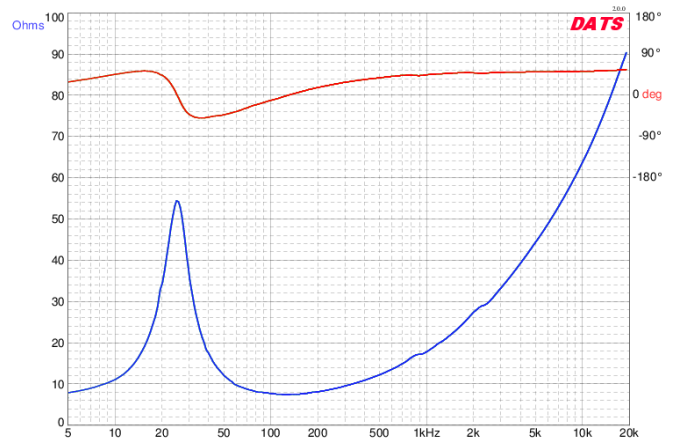
## PARAMETERS

Impedance	8 ohms
Re	6.6 ohms
Le	2.63 mH @ 1 kHz
Fs	24.9 Hz
Qms	3.16
Qes	0.44
Qts	0.38
Mms	67.5g
Cms	0.61 mm/N
Sd	343.1 cm <sup>2</sup>
Vd	154.4 cm <sup>3</sup>
BL	12.64 Tm
Vas	104 liters
Xmax	4.5 mm
VC Diameter	35 mm
SPL	88.4 dB @ 2.83V/1m
RMS Power Handling	70 watts
Usable Frequency Range (Hz)	25 - 2,500 Hz

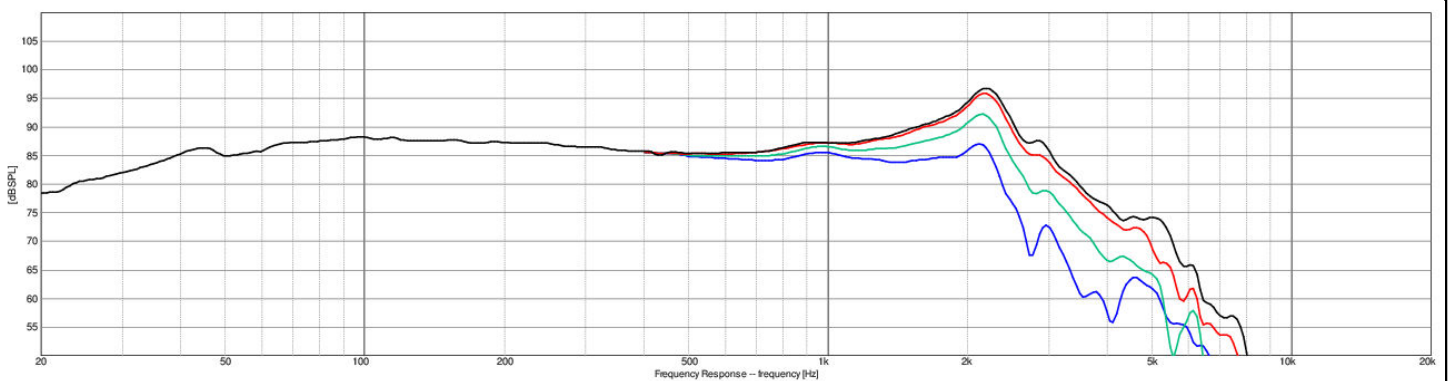
## FEATURES

- Best Price/Performance Value Available Anywhere
- Excellent Low Frequency Capabilities
- Rubber Surround and Vented Pole Piece

## IMPEDANCE/PHASE



## FREQUENCY RESPONSE



Note: 1/12<sup>th</sup> octave smoothing - nearfield response included in graph below 450 Hz.

Black = 0°  
Red = 15°  
Green = 30°  
Blue = 45°