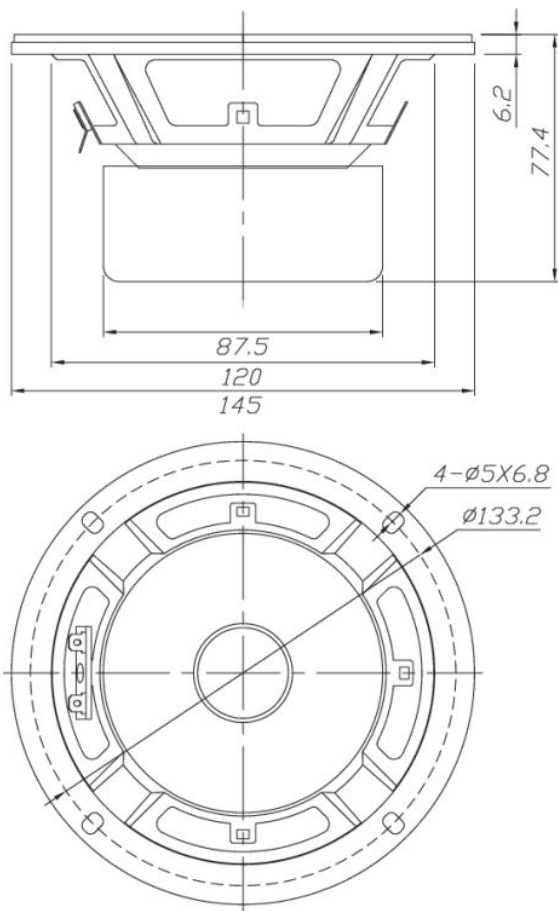




DC130BS-4 5-1/4" Classic Shielded Woofer 4 Ohm

DC130BS-4



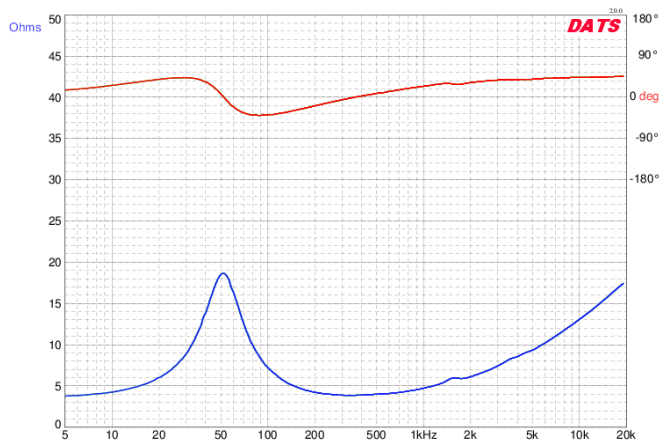
PARAMETERS

Impedance	4 ohms
Re	3.55 ohms
Le	0.5 mH @ 1 kHz
Fs	51.8 Hz
Qms	1.86
Qes	0.44
Qts	0.35
Mms	8.8g
Cms	1.08 mm/N
Sd	93.3 cm ²
Vd	14.0 cm ³
BL	4.8 Tm
Vas	13.2 liters
Xmax	2.5 mm
VC Diameter	25 mm
SPL	91.6 dB @ 2.83V/1m
RMS Power Handling	30 watts
Usable Frequency Range (Hz)	55 - 4,000 Hz

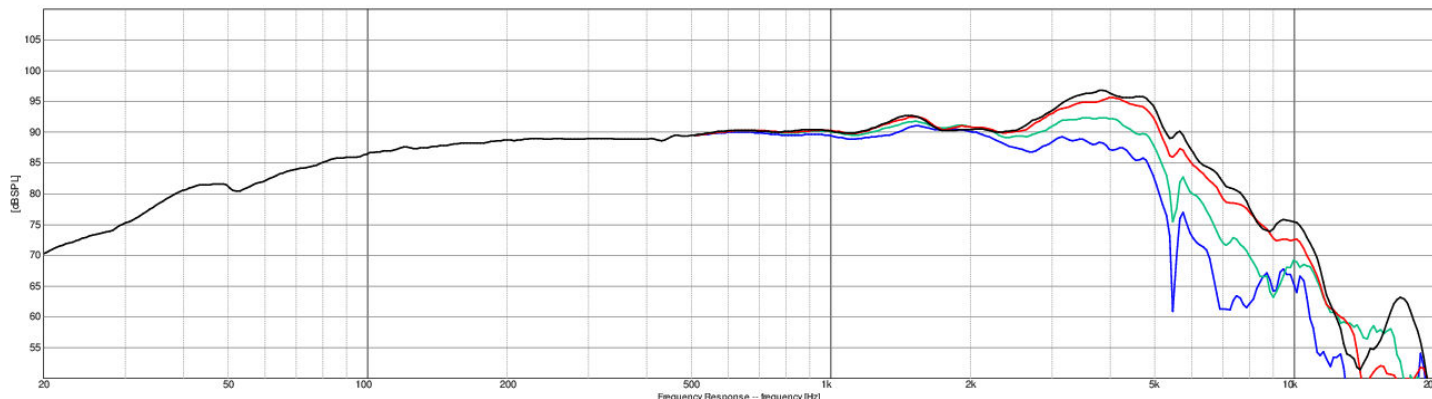
FEATURES

- Treated paper cone provides smooth response and low energy storage
- Aluminum former and porous dustcap for high power handling
- Large diameter flat spider and good Xmax for clean bass

IMPEDANCE/PHASE



FREQUENCY RESPONSE



Note: 1/12th octave smoothing - nearfield response included in graph below 450 Hz.

Black = 0°
Red = 15°
Green = 30°
Blue = 45°