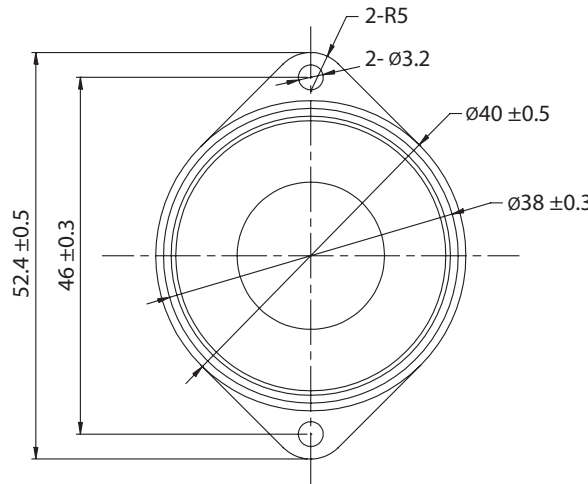
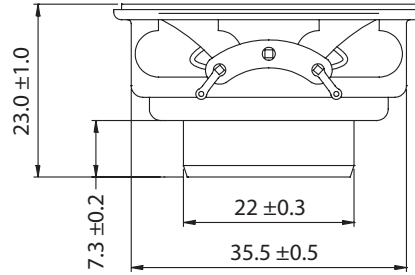


Features

- Lightweight paper cone
- Powerful dual neodymium magnet design
- Rubber surround
- Stamped steel frame
- Compact size
- Versatile mounting

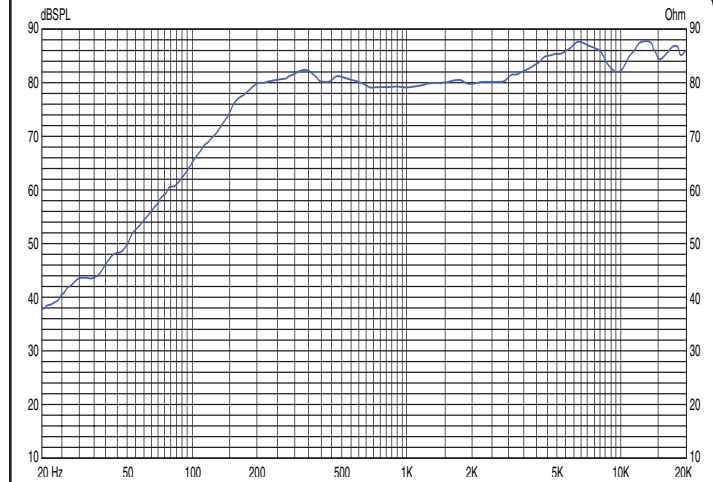
Parameters

Impedance (Ω)	8
Re (Ω)	7.3
Le (mH) @ 1 kHz	0.25
Fs (Hz)	227.5
Qms	4.19
Qes	1.63
Qts	1.17
Mms (g)	0.60
Cms (mm/N)	0.802
Sd (cm ²)	6.758
Vd (cm ³)	0.008
BL (Tm)	1.98
VAS (liters)	0.052
XMAX (mm)	1.2
VC Diameter (mm)	13
SPL (dB@1W/1m)	80
RMS Power Handling (w)	2.0
Usable Frequency Range (Hz)	200 - 20,000



Note: All dimensions in mm.

Frequency Response



Note: Due to testing limitations, response below 200 Hz is not an actual representation.

Impedance/Phase

