

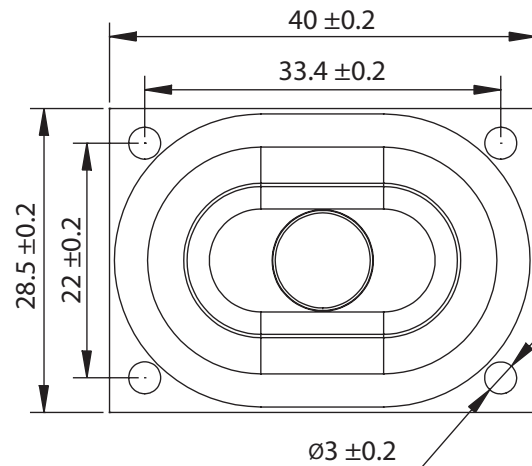
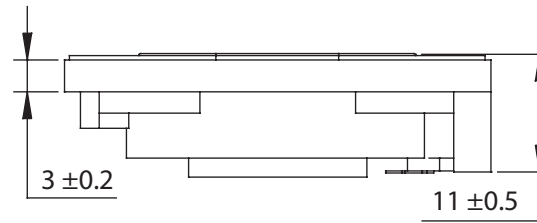
Features

- Lightweight paper cone
- Powerful neodymium magnet design
- Coated fabric surround
- Injection-moulded frame
- Compact size
- Versatile mounting



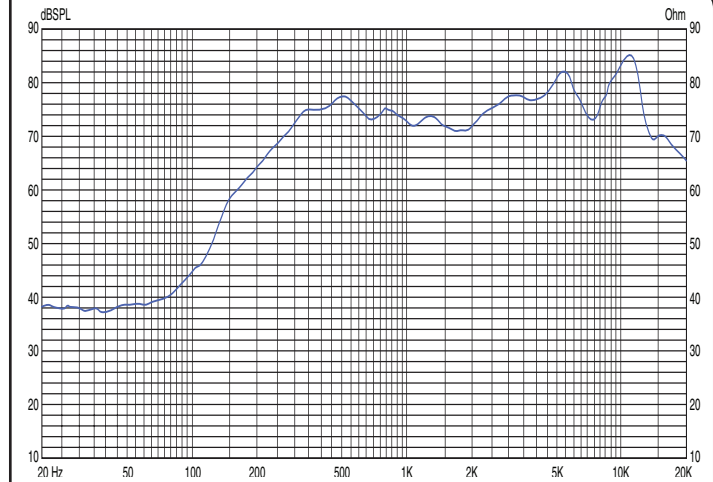
Parameters

Impedance (Ω)	8
Re (Ω)	7.0
Le (mH) @ 1 kHz	0.26
Fs (Hz)	607.6
Qms	3.96
Qes	9.87
Qts	2.83
Mms (g)	0.37
Cms (mm/N)	0.177
Sd (cm ²)	5.281
Vd (cm ³)	0.0005
BL (Tm)	1.03
VAS (liters)	0.007
XMAX (mm)	0.1
VC Diameter (mm)	13
SPL (dB@1W/1m)	72
RMS Power Handling (w)	2.0
Usable Frequency Range (Hz)	550 - 15,000



Note: All dimensions in mm.

Frequency Response



Note: Due to testing limitations, response below 200 Hz is not an actual representation.

Impedance/Phase

