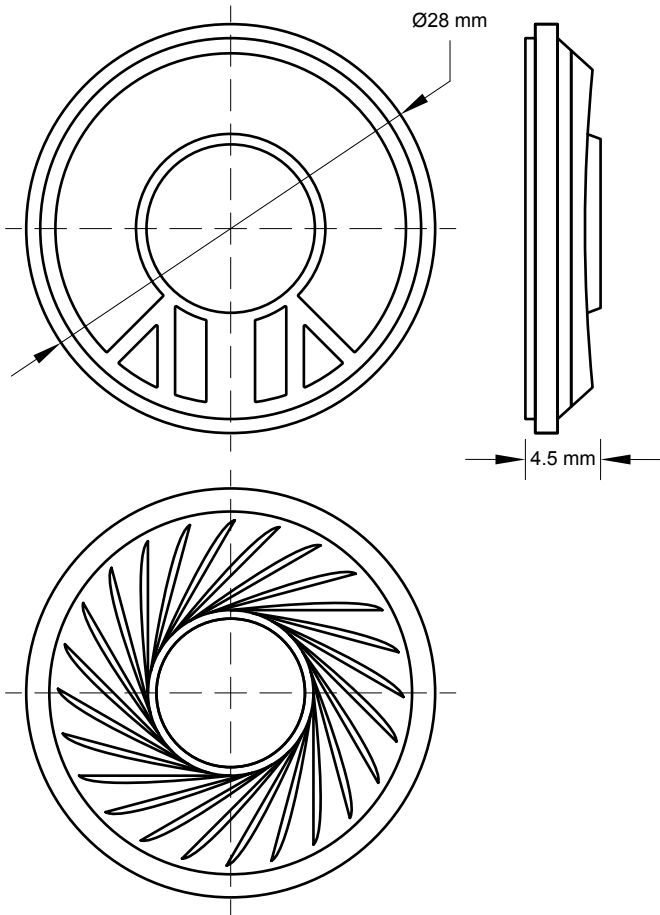




1.1" Mini Speaker Black 8 Ohm

CE28MB-8



PARAMETERS	
Impedance	8 ohms
Re	7.54 ohms
Le	0.45 mH @ 1kHz
Fs	623 Hz
Qms	2.22
Qes	6.16
Qts	1.63
Mms	0.087 g
Cms	0.748 mm/N
Sd	4.52 cm ²
Vd	0.045 cm ³
BL	0.642 Tm
Vas	0.0215 liters
Xmax	0.1 mm
VC Diameter	10 mm
SPL	81dB @ 2.83V/1m
RMS Power Handling	1 watts
Max Power Handling	2 watts
Usable Frequency Range	620Hz-20kHz

* Xmax = $\left[\frac{\text{Voice Coil Winding Height} - \text{Magnetic Gap Height}}{2} \right]$

- FEATURES**
- Lightweight poly diaphragm
 - Rugged steel frame with front gasket
 - Powerful neodymium magnet
 - Suitable for headphone applications
 - 8 ohm impedance

