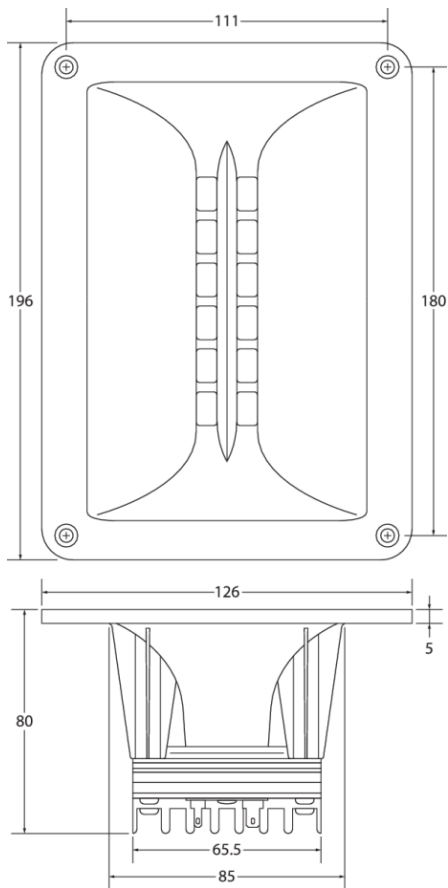




# PHT1-6 Planar Horn Tweeter 6 Ohm

PHT1-6



## PARAMETERS

Impedance	6 ohms
Re	5.77 ohms
Le	0.17 mH
Fs	N/A
Qms	N/A
Qes	N/A
Qts	N/A
Mms	N/A
Cms	N/A
Sd	N/A
Vd	N/A
BL	N/A
Vas	N/A
Xmax	N/A
VC Diameter	N/A
SPL	105 dB @ 2.83V/1m
RMS Power Handling	80 watts
Usable Frequency Range (Hz)	2,500 - 18,000 Hz

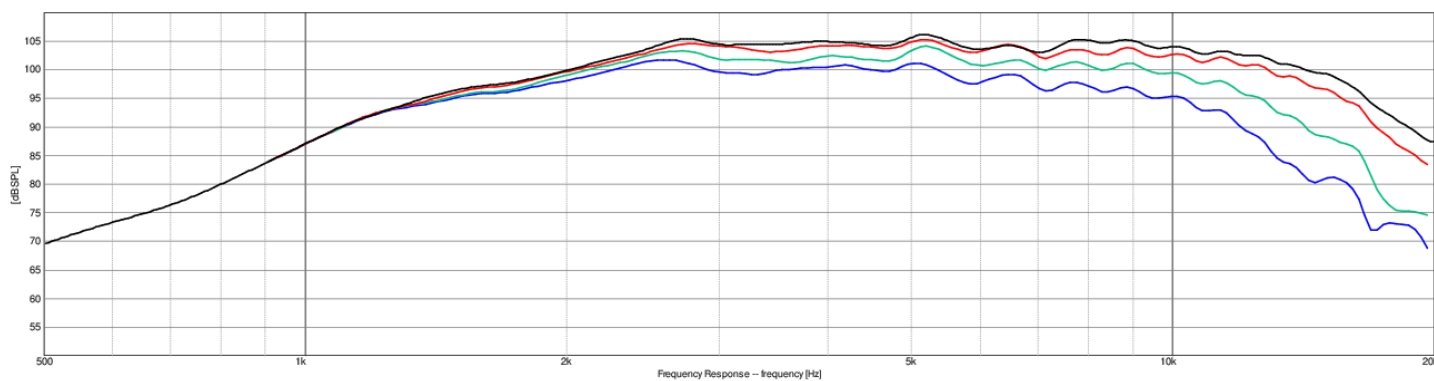
## FEATURES

- Low-compression planar horn design
- Detailed, non-fatiguing reproduction
- Rugged, reinforced injection-molded horn flare
- Controlled, 60 degree horizontal dispersion
- High 80-watt RMS power handling

## IMPEDANCE/PHASE



## FREQUENCY RESPONSE



Note: 1/24<sup>th</sup> octave smoothing - nearfield response included in graph below 450 Hz.

Black = 0°  
Red = 15°  
Green = 30°  
Blue = 45°