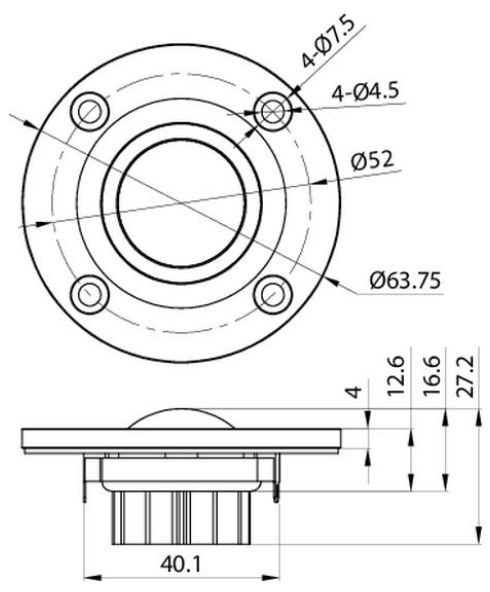




NHP25Ti-4 1" Titanium Dome High Power Neodymium Tweeter 4 Ohm



PARAMETERS	
Impedance	4 ohms
Re	3.23 ohms
Le	0.3 mH
Fs	1612 Hz
Qms	5.23
Qes	2.54
Qts	1.71
Mms	N/A
Cms	N/A
Sd	N/A
Vd	N/A
BL	N/A
Vas	N/A
Xmax	N/A
VC Diameter	N/A
SPL	94 dB 2.83V/1m
RMS Power Handling	40 watts
Usable Frequency Range (Hz)	3,000 - 20,000 Hz

- ### FEATURES
- Extremely smooth response makes for easy transition to midrange driver
 - Over 94 dB efficiency is perfect for use in higher output designs
 - Attached heatsink and ferrofluid cooling for increased power handling
 - Compact cast aluminum faceplate minimizes center-to-center distance
 - High temperature neodymium motor allows high output for extended periods

