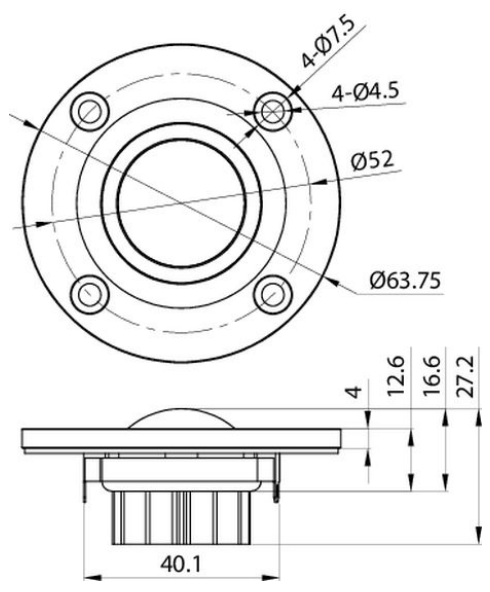




NHP25F-4 1" Soft Dome High Power Neodymium Tweeter 4 Ohm



PARAMETERS	
Impedance	4 ohms
Re	3.18 ohms
Le	0.03 mH
Fs	1689 Hz
Qms	3.75
Qes	2.04
Qts	1.32
Mms	N/A
Cms	N/A
Sd	N/A
Vd	N/A
BL	N/A
Vas	N/A
Xmax	N/A
VC Diameter	25.4 mm
SPL	95 dB 2.83V/1m
RMS Power Handling	40 watts
Usable Frequency Range (Hz)	3,000 - 20,000 Hz

- ### FEATURES
- Attached heatsink and ferrofluid cooling for increased power handling
 - Over 95 dB efficient is perfect for use in higher output designs
 - Compact cast aluminum faceplate minimizes center to center distance
 - High temperature neodymium motor allows high output for extended periods
 - Extremely smooth response makes for easy transition to midrange driver

