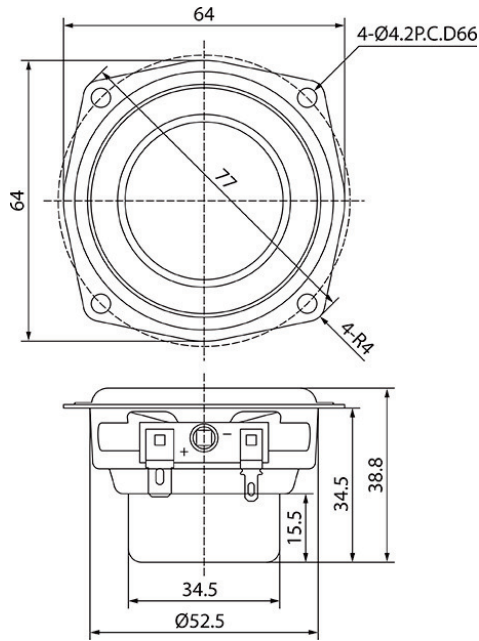




ND64-4 2-1/2" Aluminum Magnesium Cone Full-Range Driver 4 Ohm

ND64-4



PARAMETERS	
Impedance	4 ohms
Re	3.7 ohms
Le	0.37 mH
Fs	103.0 Hz
Qms	4.36
Qes	0.36
Qts	0.33
Mms	2.56g
Cms	0.93 mm/N
Sd	15.6 cm ²
Vd	29.64 cm ³
BL	4.13 Tm
Vas	0.42 liters
Xmax	1.9 mm
VC Diameter	19 mm
SPL	85.2 dB @ 2.83V/1m
RMS Power Handling	15 watts
Usable Frequency Range (Hz)	100 - 20,000 Hz

- FEATURES**
- Rubber-edged aluminum magnesium alloy cone
 - Dual neodymium motor structure
 - 4-layer voice coil with polyimide former
 - Copper sleeve to minimize distortion
 - High power handling

