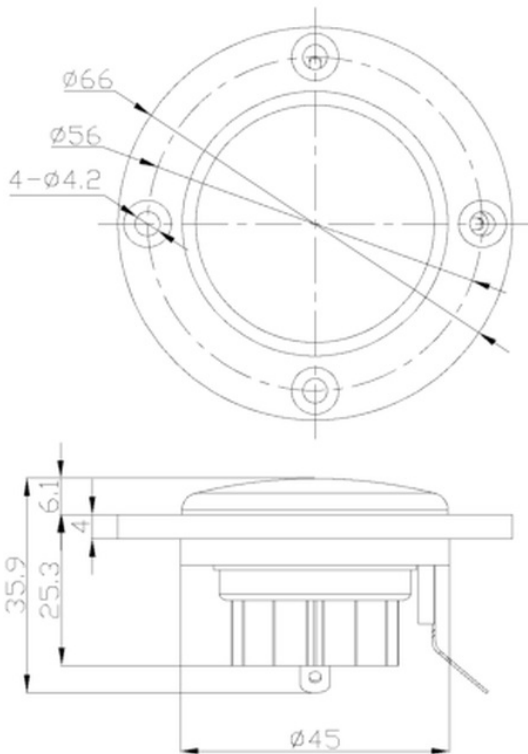




ND25FA-4 1" Soft Dome Neodymium Tweeter 4 Ohm

ND25FA-4



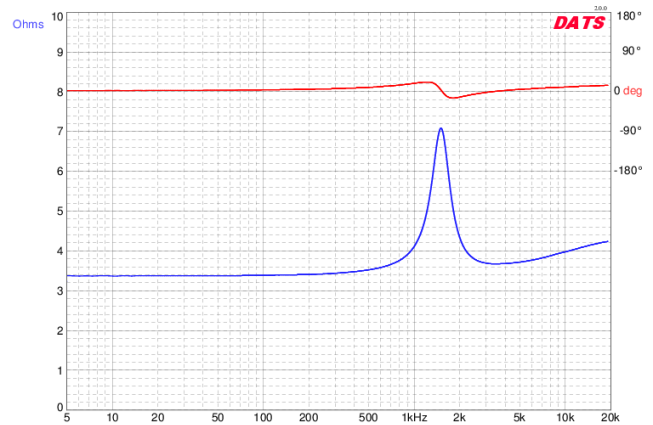
PARAMETERS

Impedance	4 ohms
Re	3.2 ohms
Le	0.03 mH
Fs	1,350 Hz
Qms	3.87
Qes	2.61
Qts	1.56
Mms	N/A
Cms	N/A
Sd	7.5 cm ²
Vd	N/A
BL	N/A
Vas	N/A
Xmax	N/A
VC Diameter	25 mm
SPL	90 dB @ 2.83V/1m
RMS Power Handling	20 watts
Usable Frequency Range (Hz)	2,500 - 20,000 Hz

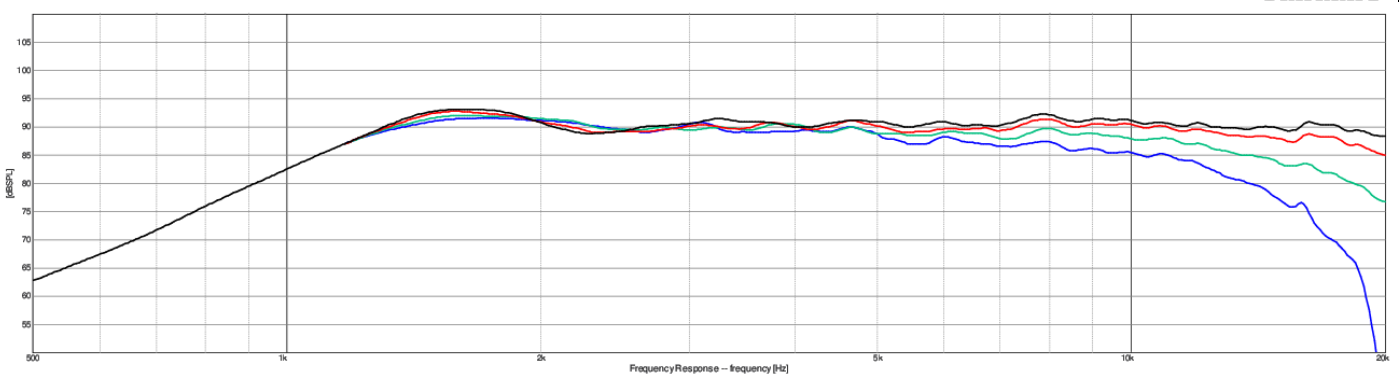
FEATURES

- Exceptionally flat treble response with low distortion
- Compact round faceplate design is simple to install
- High-strength neodymium motor with heatsink and ferrofluid cooling
- 1" diameter voice coil for good off-axis dispersion
- Clean, modern styling and appearance

IMPEDANCE/PHASE



FREQUENCY RESPONSE



Note: 1/24th octave smoothing - nearfield response included in graph below 450 Hz.

Black = 0°
Red = 15°
Green = 30°
Blue = 45°