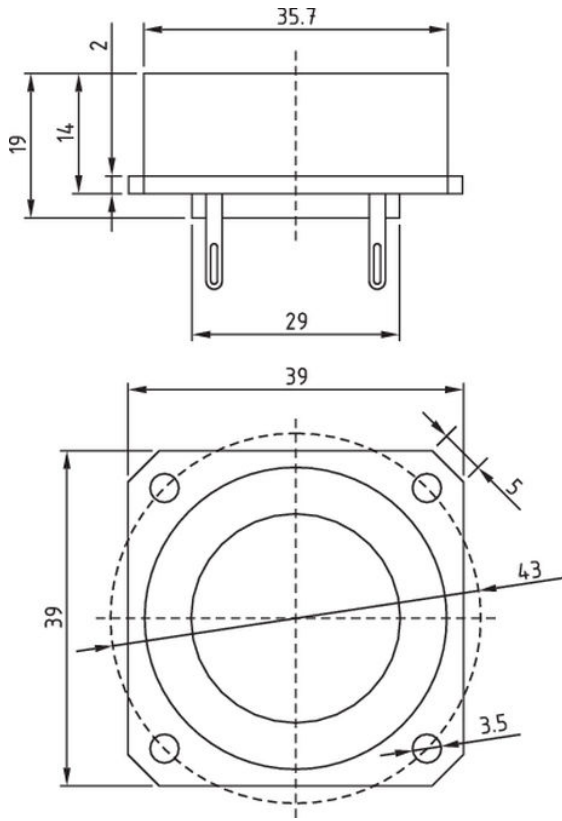




ND20FB-4 Rear-Mount 3/4" Neodymium Dome Tweeter 4 Ohm

ND20FB-4



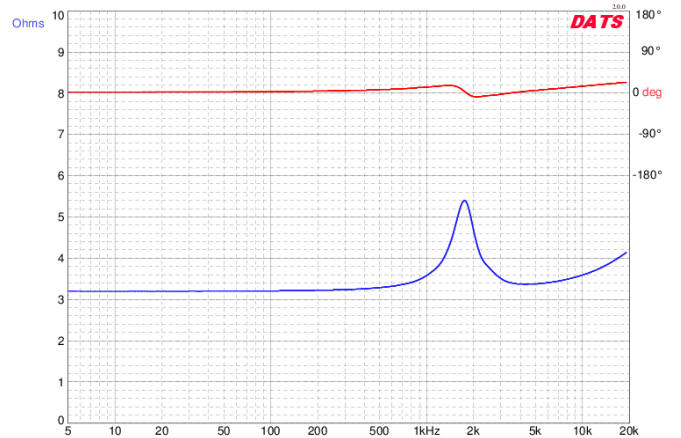
PARAMETERS

Impedance	4 ohms
Re	3.2 ohms
Le	0.03 mH
Fs	2,072 Hz
Qms	2.08
Qes	3.74
Qts	1.33
Mms	N/A
Cms	N/A
Sd	2.8 cm ²
Vd	N/A
BL	N/A
Vas	N/A
Xmax	N/A
VC Diameter	19 mm
SPL	90 dB @ 1W/1m
RMS Power Handling	15 watts
Usable Frequency Range (Hz)	3,500 - 25,000 Hz

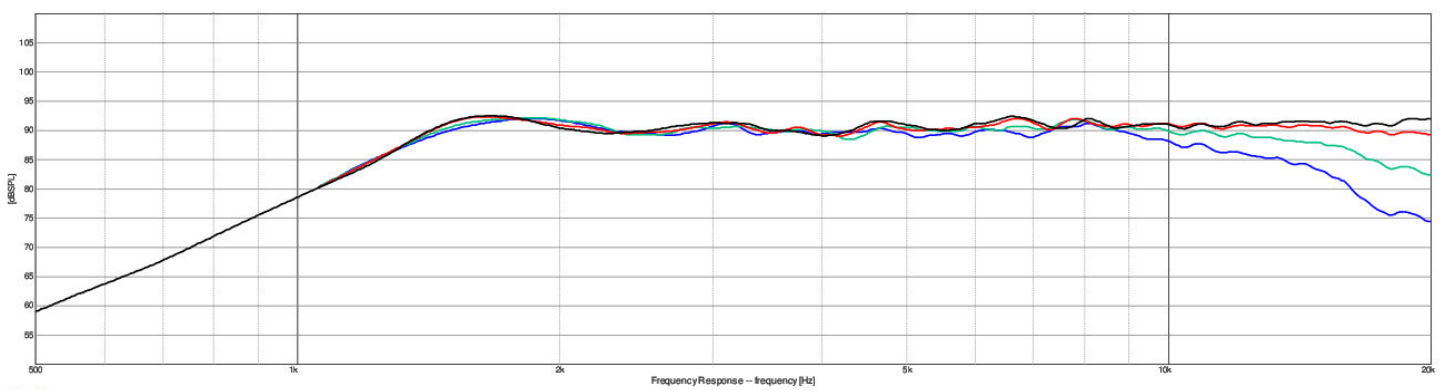
FEATURES

- Compact neodymium motors have low stray field
- Ferrofluid enhances power handling and helps damp resonance
- Rear-mount design minimizes housing size
- Center-to-center spacing as low as 1-1/2"
- Great top-end air and sparkle

IMPEDANCE/PHASE



FREQUENCY RESPONSE



Note: 1/24th octave smoothing - nearfield response included in graph below 450 Hz.

Black = 0°
Red = 15°
Green = 30°
Blue = 45°