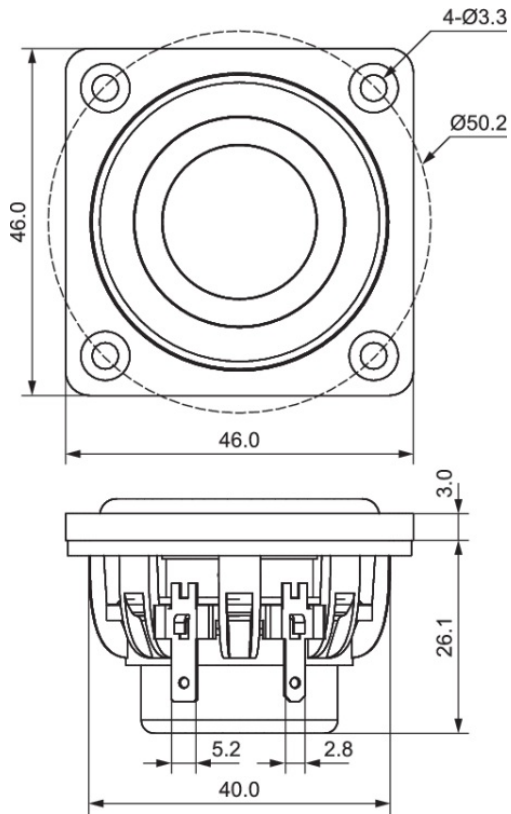




DMA45-4 1-1/2" Dual Magnet Aluminum Cone Full-Range Driver 4 Ohm



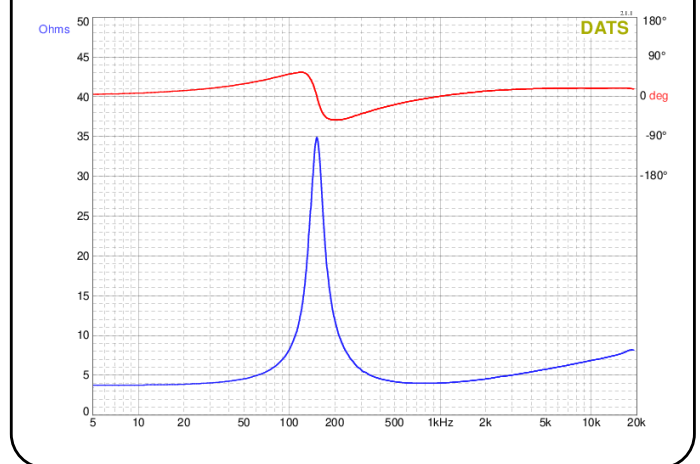
PARAMETERS

| | |
|-----------------------------|-----------------------|
| Impedance | 4 ohms |
| Re | 3.7 ohms |
| Le | 0.3 mH @ 1 kHz |
| Fs | 151.4 Hz |
| Qms | 5.23 |
| Qes | 0.62 |
| Qts | 0.56 |
| Mms | 1.3 g |
| Cms | 0.83 mm/N |
| Sd | 8.6 cm ² |
| Vd | 1.7 cm ³ |
| BL | 2.2 Tm |
| Vas | 0.003 ft ³ |
| Xmax | 2.0 mm |
| VC Diameter | 0.75" |
| SPL | 82.0 dB @ 2.83V/1m |
| RMS Power Handling | 10 watts |
| Usable Frequency Range (Hz) | 150-20,000 Hz |

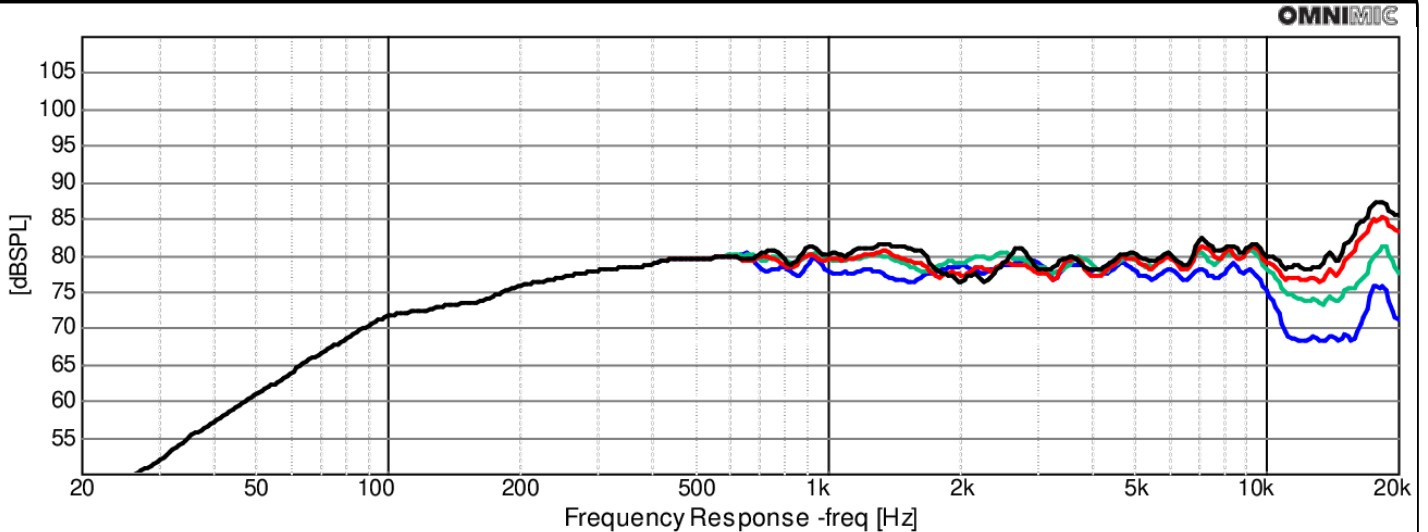
FEATURES

- Excellent high frequency response for true full-range applications
- Dual neodymium motor to create a symmetrical magnetic field for superb control
- Large copper cap lowers distortion while improving high frequency response
- Remarkably flat full-range response with excellent off axis performance
- Exclusive 8-spoke open frame design provides extensive venting and minimal reflection
- DIY friendly, oversized mounting flange makes installation simple
- Matching tunable passive radiators also available!

IMPEDANCE/PHASE



FREQUENCY RESPONSE



OmniMic

Note: 1/24th octave smoothing - nearfield response included in graph below 450 Hz

Black = 0°
Red = 15°
Green = 30°
Blue = 45°