

EPIQUE

by Dayton Audio

E150HE-44

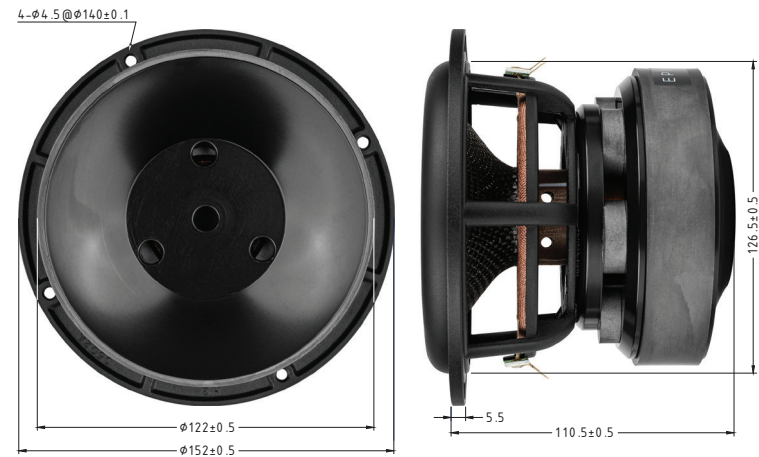
Dayton Audio's ground breaking Epique E150HE-44 5-1/2" carbon fiber cone dual voice coil woofer is engineered to produce premium performance with controlled response. Thanks to its revolutionary MMAG dual gap motor, the motor force is nearly constant even when driven to the limits of its 14 mm Xmax. Capable of unheard-of excursion for its size while delivering smooth response with low distortion, the E150HE-44 woofer gives you the opportunity to create systems that provide extraordinary accuracy and fidelity.

- Patented dual gap MMAG motor design allows exceptional linearity for minimal distortion
- Lightweight damped carbon fiber cone delivers remarkably smooth response up to 45 degrees off axis
- Incredibly linear 14 mm excursion to produce class leading low frequency extension and control
- Extensive inductance control extends high frequency response and helps lower distortion
- Substantial venting keeps the voice coil cool to minimize power compression
- Dual 4 ohm voice coils enable a variety wiring configurations and flexibility
- Incredible versatility, premium performance as a subwoofer or woofer in 2-way designs

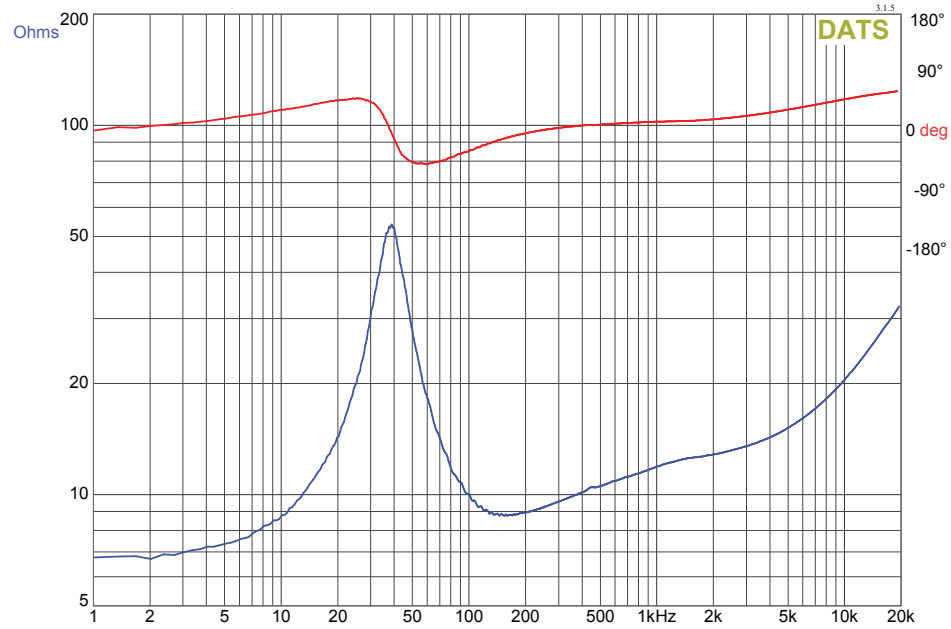
Note: All graphs and data below were measured with voice coils wired in series.

PARAMETERS

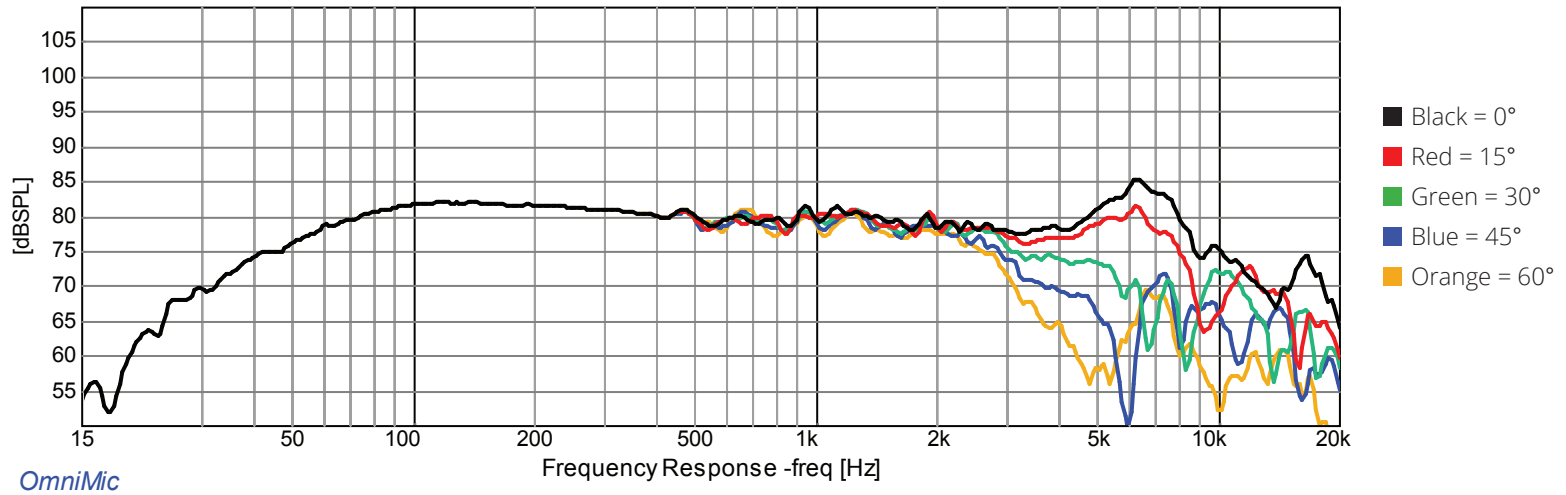
Impedance	8 ohms
Re	6.6 ohms
Le	1.6 mH @ 1 kHz
Fs	40 Hz
Qms	2.94
Qes	0.45
Qts	0.39
Mms	26.6 g
Cms	0.60 mm/N
Sd	95.03 cm ²
Vd	139.7 cm ³
BL	9.8 Tm
Vas	0.27 ft ³
Xmax	14.7 mm
VC Diameter	38 mm
SPL	83.3 dB @ 2.83V/1m
RMS Power Handling	200 watts
Usable Frequency Range (Hz)	30 - 4,000 Hz



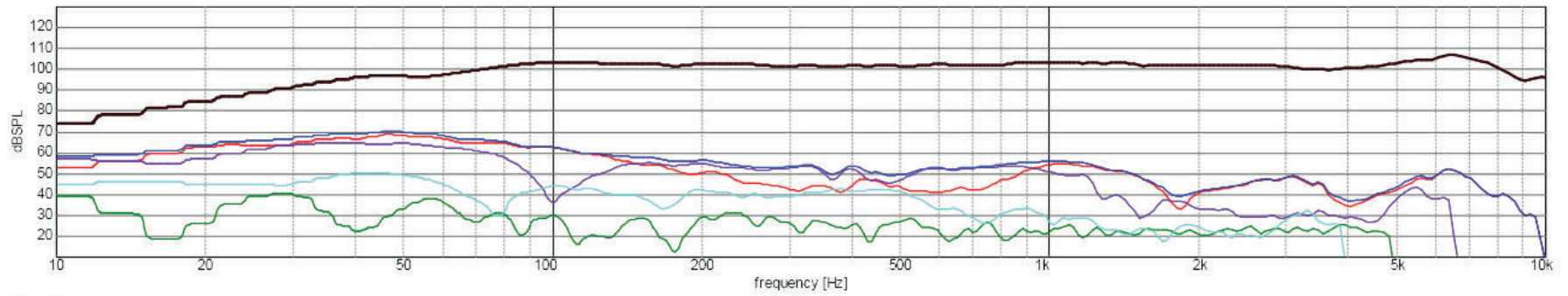
IMPEDANCE



FREQUENCY RESPONSE

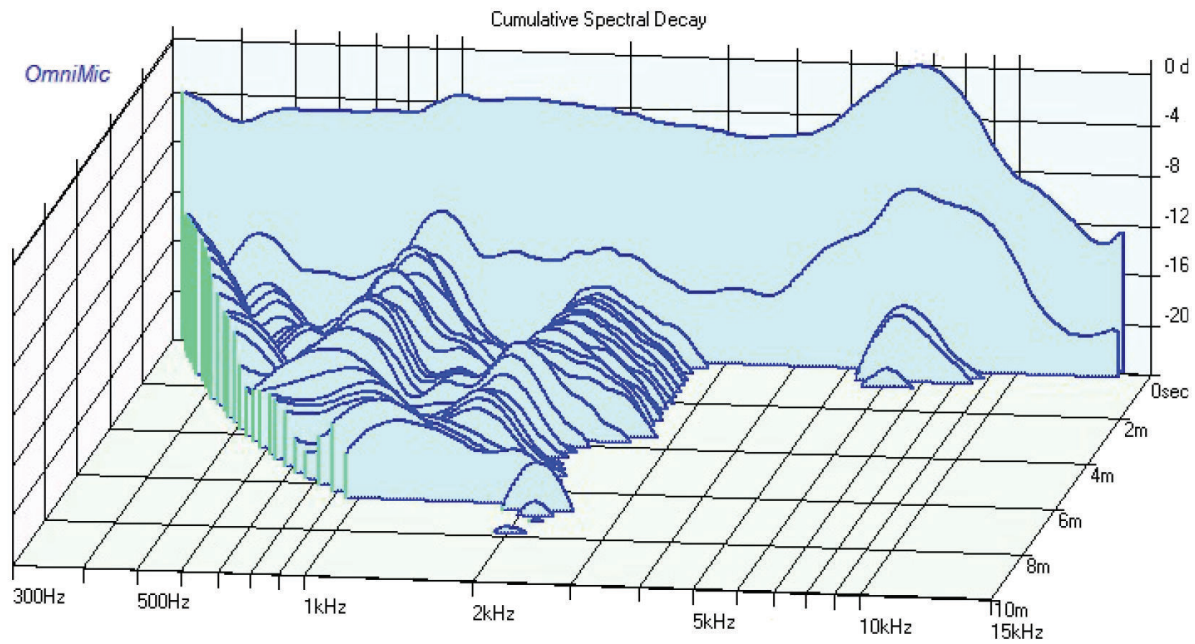


HARMONIC DISTORTION



OmniMic

CUMULATIVE SPECTRAL DECAY



OmniMic