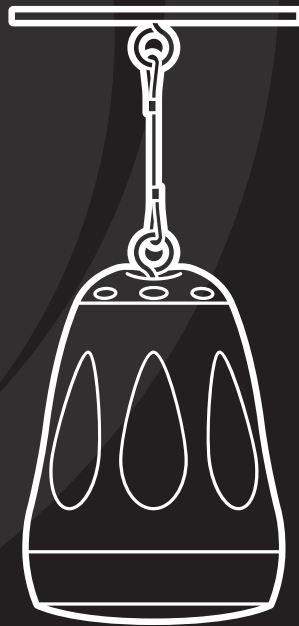




8" IP55 INDOOR/ OUTDOOR PENDANT SPEAKER 70V/100V WITH 8 OHM BYPASS

Model: WP8BT/WP8WT
User Manual



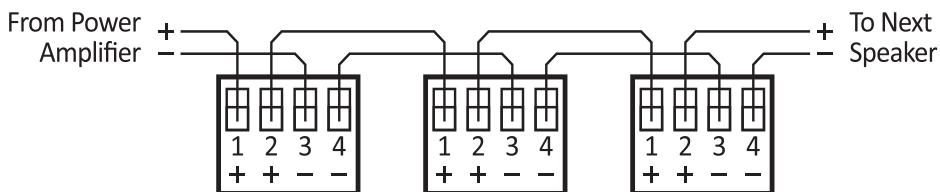
Thank you for purchasing the Dayton Audio® 8" pendant speaker. This rugged, all-purpose speaker is designed to deliver reliable, high-quality audio in commercial and residential applications, while withstanding outdoor environments. The WP8 features an IP55 weather-resistant ABS construction, 2-way coaxial speaker design.

- 8" woofer with coaxial 1" tweeter
- Integral 70V/100V transformer with selectable taps and 8 ohm bypass
- Suitable for indoor or outdoor installation
- Available in black or white finish

Please read these instructions completely before you begin your installation.

1) Speaker Connection

Remove about 8" of the cable jacket to expose the inner conductors. Strip 1/4" of insulation from each conductor and connect to the speaker terminals. When connecting the wires to the speakers, be sure to observe proper polarity for the best sound. Most CL2 rated speaker cable will have red and black colored wires inside the jacket. Connect the red wire to the (+) terminal and the black wire to the (-) terminal. The red (+) and black (-) speaker wires should correspond to the same terminals on the amplifier.



Typical 70V/100V installation wiring method

NOTE: If this speaker will be used with a 70V/100V distributed audio system, do not set the 70V/100V tap to the 8 ohm setting. Doing so may damage your speaker when playing. To use this speaker with a conventional (non-70V/100V) audio system, change tap to the 8 ohm setting. If you are unsure what type of audio system you have, consult a professional installer before continuing.

Step 1: Remove the speaker end cap

Using a screwdriver or other flat-blade tool, turn the tap selector knob to the desired setting. Selecting the 8 ohm setting will remove the transformer from the signal path and allow a conventional amplifier to drive the speaker. If using a 70V/100V system choose the appropriate output setting for the application.

Step 2: Reinstall speaker end cap

Once you have selected the correct setting and mounting bracket you can feed the speaker wire through the end cap and reinstall.

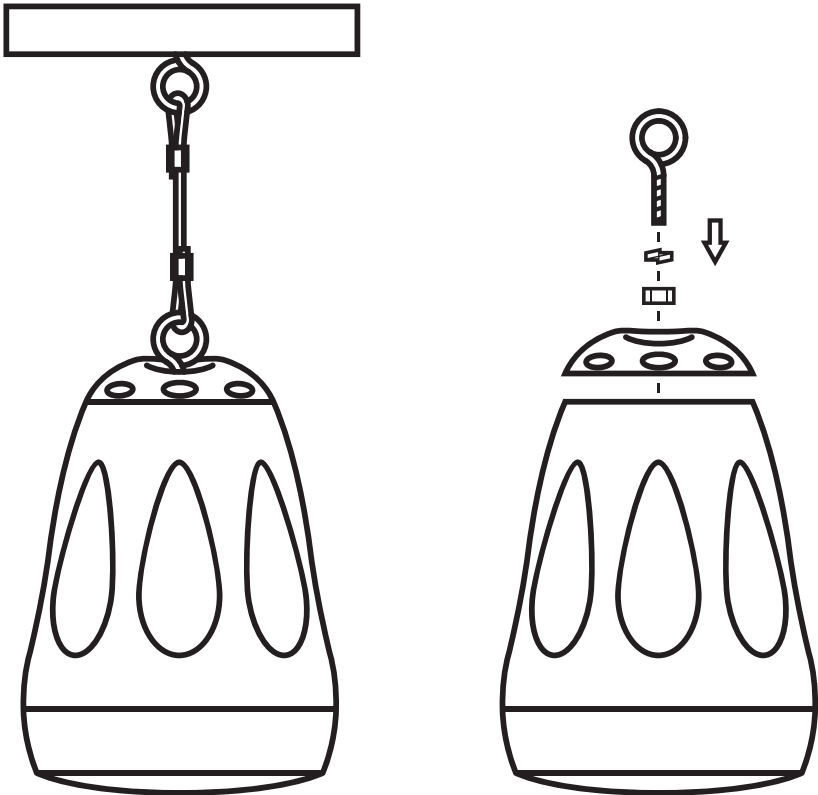
2) Choose Speaker Location

If you will be installing your speaker outdoors, select a location that is protected from rain, snow, and out of direct sunlight for extended product life.

CAUTION: Be certain that there are no electrical wires, water pipes, or heating ducts in the planned installation area before you begin drilling. If there is an electrical outlet nearby, turn off the circuit breaker to avoid possible injury.

NOTE: Your Dayton Audio WP8 speaker is compact, but substantial in weight. Speaker should be mounted to a solid structure, not drywall. If drywall mounting is required, use high-strength anchors designed for heavy loads such as light fixtures. To avoid personal injury, please make sure the location you choose for mounting your speakers can safely support their weight.

Mounting Diagram



3) Troubleshooting

Should your speakers not work properly, check the following:

No sound from speaker or quiet/strange sound:

- Make certain you observed proper polarity for speaker inputs. Check the connections at the back of the receiver, and then at the speaker.
- Verify that the amplifier is powered on and the volume is turned up.
- Check that the correct transformer tap is selected for your application. If you are using a stereo amplifier or a receiver, use the 8 ohm tap.
- Mute feature or protection mode is activated. Check for short circuits in speaker wiring.

Amplifier/Receiver cuts out:

- This could be caused by a short circuit between the positive and negative leads. Check the connections at the back of the receiver, and then at the speaker; make sure that no strands of wire from one connector are touching the other connector.

Specifications

Model number:..... WP8BT/WP8WT
Description:..... Commercial indoor/outdoor speaker
Woofer:..... 8" mineral-filled polypropylene
Tweeter:..... 1" fabric
Frequency response:..... 50-20,000 Hz
Impedance:..... 8 ohms/70V/100V
70V/100V taps:..... 8 ohms/3.75W, 7.5W, 15W, 30W, 60W
Power handling (RMS/Peak): ... 75W/150W
SPL:..... 89.5 dB @ 8 ohm setting, 2.83V/1m
Dimensions:..... 12-1/4" height, 9-1/8" diameter
Color:..... Black or white available
Weight: 9.2 lbs
Ingress protection rating: IP55

5-Year Limited Warranty

See daytonaudio.com for details



daytonaudio.com
tel + 937.743.8248
info@daytonaudio.com

705 Pleasant Valley Dr.
Springboro, OH 45066
USA

