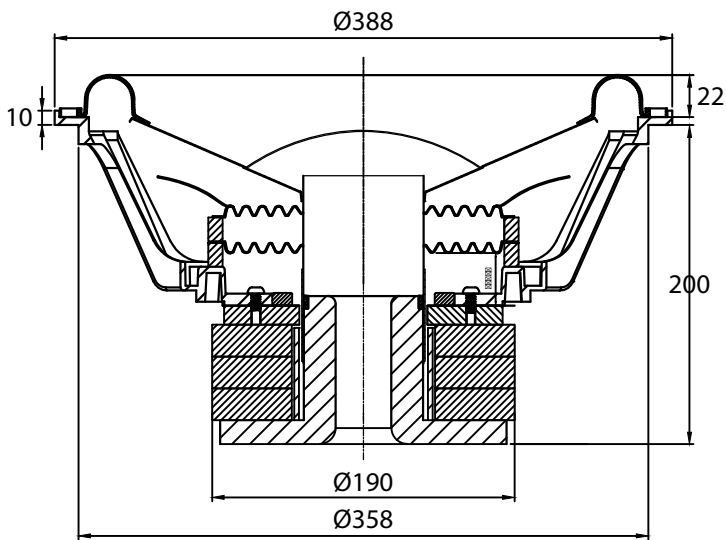




15" Reference Series High Excursion Subwoofer 2+2 ohm

RSS390HE-22



PARAMETERS

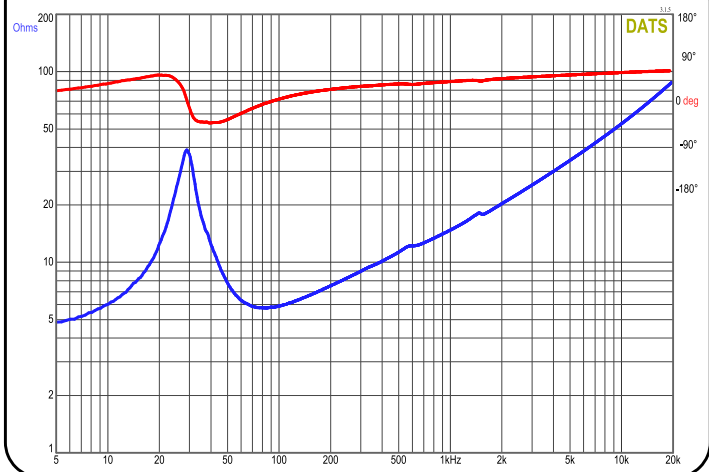
Impedance	2+2 ohms
Re	4.3 ohms
Le	2.2 mH
Fs	29 Hz
Qms	4.59
Qes	0.58
Qts	0.51
Mms	384 g
Cms	0.08 mm/N
Sd	804 cm ²
Vd	2171 cm ³
BL	22.9 Tm
Vas	71.3 liters
Xmax	27 mm*
VC Diameter	76.5 mm
SPL	89.3 @ 2.83V/1m
RMS Power Handling	800 watts
Usable Frequency Range	20 - 600 Hz

$$* X_{max} = \left[\frac{\text{Voice Coil Length} - \text{Top Plate Height}}{2} \right] + 1/3 \text{ Top Plate Height}$$

FEATURES

- Designed for small enclosures
- Copper ring and thick aluminum sleeve provide ultra-low distortion
- Large 3" diameter voice coil wound on a spiral cut aluminum former
- Thick anodized aluminum cone and dustcap improves rigidity and heat dissipation
- Optimized venting for maximum airflow for extremely quiet operation
- Dual spiders and high roll surround for linear high displacement
- Dual 2 ohm voice coils allow various wiring options

IMPEDANCE/PHASE



FREQUENCY RESPONSE

