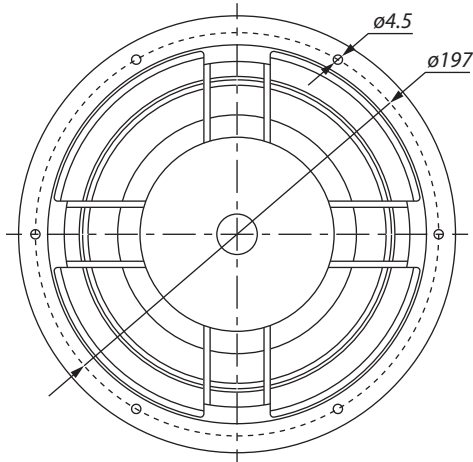
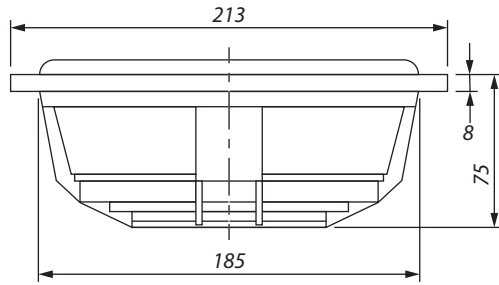




RSS210-PR 8" Aluminum Cone Passive Radiator

RSS210-PR



FEATURES

- SMS (Sandwich Mass System) permits greater linearity by minimizing angular torque
- Durable yet compliant suspension provides substantial linear travel and mechanical stability
- Rigid cast aluminum frame with thick black anodized aluminum cone
- Threaded rod with lock nut for easy adjustment of tuning frequency
- Includes four 75 gram weighted disks for simple tuning adjustment

Default Parameters (driver only)

Fs	19.5 Hz
Qms	10.70
Mms	110.0g
Cms	0.61 mm/N
Sd	213.0 cm ²
Vd	426.0 cm ³
Vas	39.2 liters
Xmax	20 mm

Note: Parameters above are for the passive only with no additional mass added. Parameters with additional mass added are listed in the table below.

Parameters with Added Mass

RSS210-PR	0 disk	1 disk	2 disk	3 disk	4 disk	
Mmpr	110.0	185.0	260.0	335.0	410.0	g
Fpr	19.5	15.0	12.7	11.2	10.1	Hz
Qmpr	10.70	13.88	16.45	18.67	20.66	
Vapr	39.2	These parameters remain the same				liters
Cmpr	0.61					mm/N
Rmpr	1.26					kg/s
Xmech	20.0					mm
Sd	213.0					cm ²
Vd	426.0					cm ³