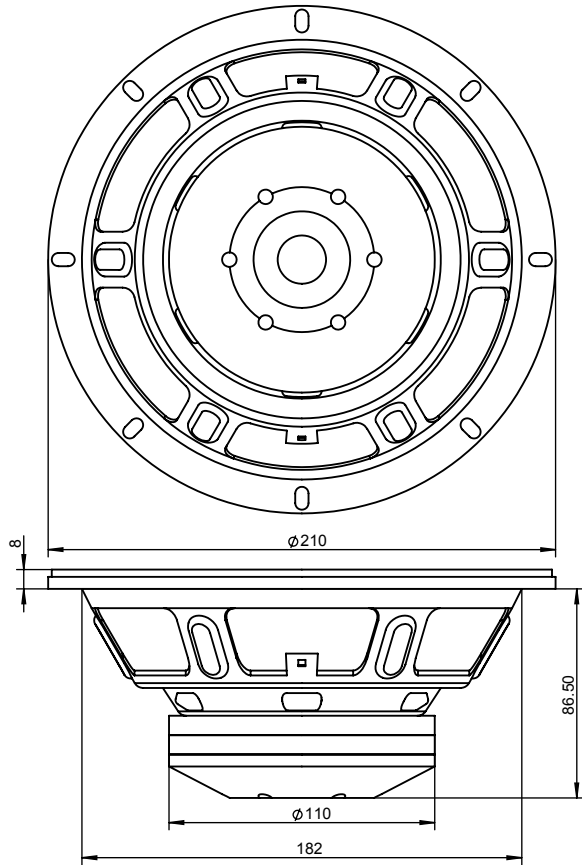




Apollo 8N 8" Professional Neodymium Midbass Woofer 8 Ohm

8MB200N-8



PARAMETERS

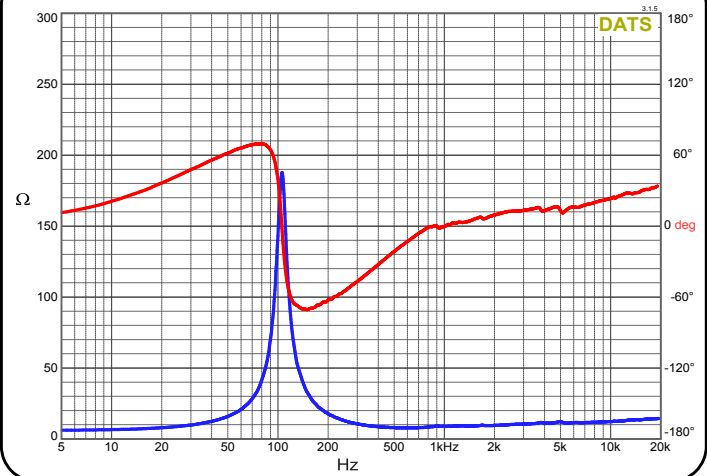
Impedance	8 ohms
Re	6 ohms
Le	0.17 mH @ 1kHz
Fs	94 Hz
Qms	4.43
Qes	0.35
Qts	0.32
Mms	20.89 g
Cms	0.137 mm/N
Sd	200.96 cm ²
Vd	78.32 cm ³
BL	14.41 Tm
Vas	8.8 liters
Xmax	3.91 mm *
Magnetic Gap Height	8 mm
VC Diameter	2"
VC Winding Height	14 mm
SPL	95.5 dB @ 2.83V/1m
RMS Power Handling	200 watts
Usable Frequency Range	75Hz-5.8kHz

* Klippel verified

FEATURES

- Powerful neodymium motor for superior output
- Copper inductance cap for low distortion
- Paper cone and cloth m-roll surround for high clarity, smooth response, and linear excursion for pounds of punch
- 2" Inside/outside wound copper voice coil on fiberglass former lends solid power handling capability
- Under spider and rear periphery venting allow for a cooler running voice coil
- Low Qts means high damping and smaller boxes

IMPEDANCE/PHASE



FREQUENCY RESPONSE

