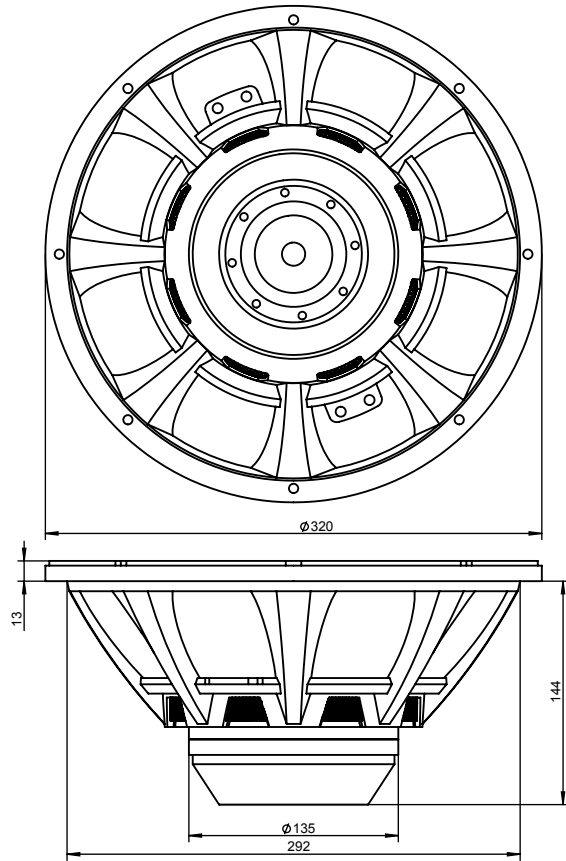




Apollo 12N 12" Professional Neodymium Midbass Woofer 8 Ohm
12MB400N-8



PARAMETERS

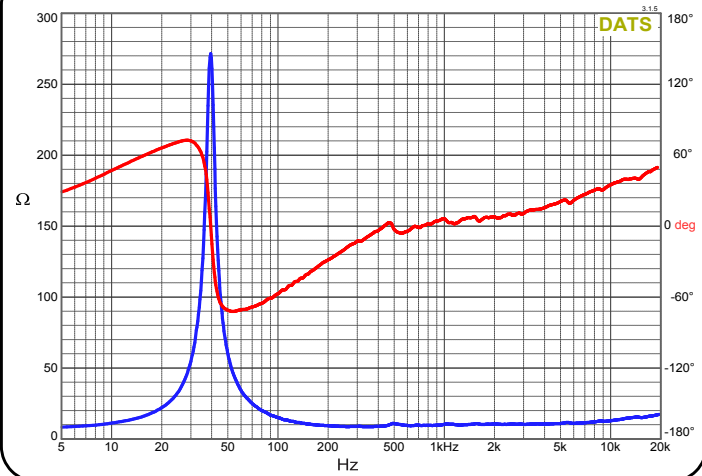
Impedance	8 ohms
Re	7.5 ohms
Le	1.21 mH @ 1kHz
Fs	38 Hz
Qms	7.75
Qes	0.27
Qts	0.26
Mms	54.46 g
Cms	0.323 mm/N
Sd	494.56 cm ²
Vd	333.2 cm ³
BL	19.19 Tm
Vas	128.1 liters
Xmax	6.75 mm*
Magnetic Gap Height	8 mm
VC Diameter	3"
VC Winding Height	16 mm
SPL	96.6 dB @ 2.83V/1m
RMS Power Handling	400 watts
Usable Frequency Range	40Hz-5.6kHz

* Klippel verified

FEATURES

- Powerful neodymium motor for superior output
- Copper inductance cap for low distortion
- Paper cone and cloth m-roll surround for high clarity, smooth response, and linear excursion for pounds of punch
- 3" Inside/outside wound copper voice coil on fiberglass former lends solid power handling capability
- Under spider and rear periphery venting allow for a cooler running voice coil
- Low Qts means high damping and smaller boxes

IMPEDANCE/PHASE



FREQUENCY RESPONSE

