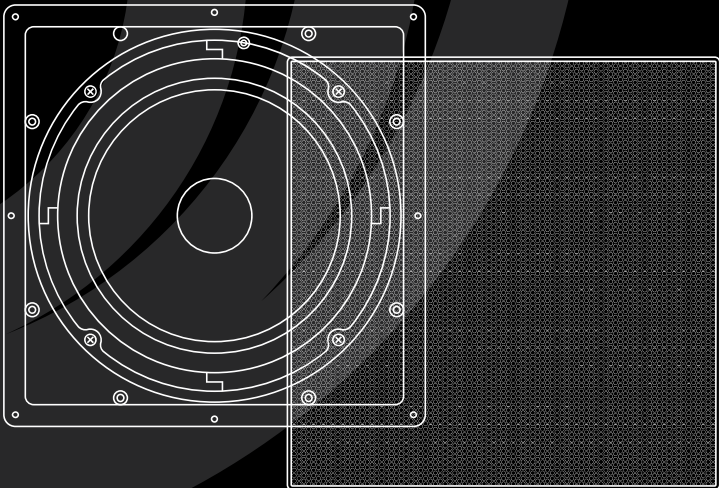




MICRO EDGE SERIES 10" In-Wall Subwoofer

Model: ME10S
User Manual



Thank you for purchasing Dayton Audio ME10S In-Wall Subwoofer. This subwoofer is the perfect choice for adding low frequencies in a hidden in-wall application where stealth is a must. The ME10S features a high excursion high power 10" woofer, high-quality components and exclusive acoustic design by Dayton Audio for outstanding performance and value.

FEATURES

- Robust high excursion paper woofer with rubber surround
- Slim stealthy in-wall design for mounting into just about any 3-1/2" deep stud cavity
- Eight mounting ears for solid vibration free air-tight installation
- Micro-Edge type grill adds to the stealth look by eliminating the conventional wide in-wall frame design
- 8 ohm single coil design for use with any stand-alone subwoofer amplifier

PARTS INVENTORY

Your subwoofer should include the following:

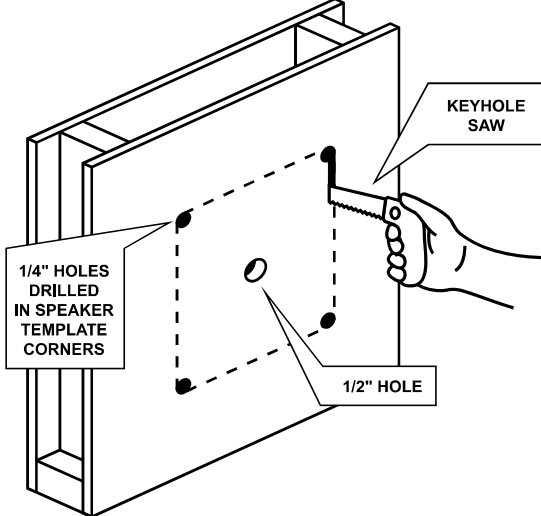
- ME10S In-Wall Subwoofer and grill
- Mounting hole template
- Manual

REQUIRED INSTALLATION TOOLS

To install your speaker, you need the following items:

- Drywall saw
- Wire stripper
- #2 Phillips screwdriver
- Pencil
- Level
- Stud finder
- Masking or painter's tape

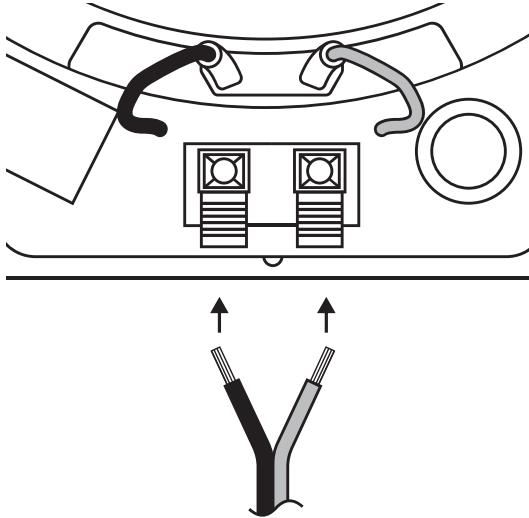
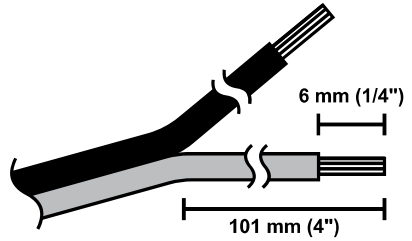
INSTALLATION

1. Find a location in between studs that you would like to install your subwoofer. It can be mounted anywhere there is space in a stud cavity, such as behind a couch, end tables or TV stand. We recommend mounting the subwoofer near the floor for the best possible results. Be mindful of electrical wires around your chosen location. We recommend turning the breaker to any nearby power outlets off during the installation process. The wall must have a minimum internal thickness of 3-1/2".
2. Remove the center of the template along the perforated line.
3. Use the level to make sure the template is straight against the wall in your chosen location. Be sure that the template is centered between studs using your stud finder. Tape the corners of the template to the wall using masking or painter's tape.
4. Trace the cutout line of the template to the wall using your pencil.
5. Remove the template from the wall.
6. Use the drywall saw to carefully cut along the traced line.

CONNECTING THE SPEAKER WIRES

We recommend using 12-14 gauge 2-conductor in-wall rated speaker wire for this subwoofer.

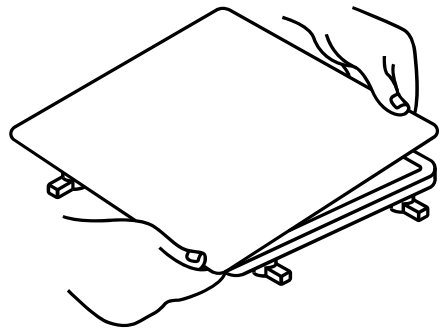
1. Separate about 4" (101mm) of speaker wire at each end.
2. Using a wire stripper, remove about 1/4" (6mm) of insulation from each wire. Then twist the ends of each wire.
3. Connect the positive conductor to the red speaker terminal by pressing the tab, inserting the wire into the hole, and then releasing the tab. Repeat this procedure to connect the negative cable to the black terminal.



4. Connect the opposite end of the cable coming from the speaker to the terminals on the amplifier, observing polarity.

MOUNTING THE SPEAKER

1. Remove the grill from the subwoofer, starting in one corner and carefully pulling up along the edges until it pops off.
2. Secure the speaker wire to a wall stud adjacent to the cutout to prevent its weight from pulling it loose from the speaker terminals. This also keeps the wire from dropping behind the wall before you connect it.
3. Ensure that the mounting tabs on the back of the speaker assembly are turned inwards.
4. Place the subwoofer into the cutout in the wall.
5. Using a #2 Phillips screwdriver, tighten each mounting screw to turn the mounting tabs back outward. Use of a power drill is not recommended. Continue tightening until the mounting tabs are firmly against the back of the wall and the speaker is secure. Do not over-tighten the screws to avoid damage to the mounting tabs.
6. Snap grill back into the speaker frame, carefully lining up the tabs around the perimeter of the grill.



You are now ready to enjoy your new in-wall subwoofer!

Specifications

Model number	ME10S
Woofer	10" treated paper cone
Frequency response (Hz)	30 - 250
Dimensions H x W x D (in)	12-3/8" x 12-3/8" x 4"
Mounting depth (in)	3-1/2"
Cut-out size H x W (in)	11-1/4" x 11-1/4"
Power handling (RMS/Peak)	100/200W
Impedance	8 ohm
SPL (1W/1m)	88 dB
Low-pass XO (Hz)	250
XO slope	18 dB/octave

5-Year Limited Warranty

See daytonaudio.com for details



daytonaudio.com
tel + 937.743.8248
info@daytonaudio.com

705 Pleasant Valley Dr.
Springboro, OH 45066
USA

