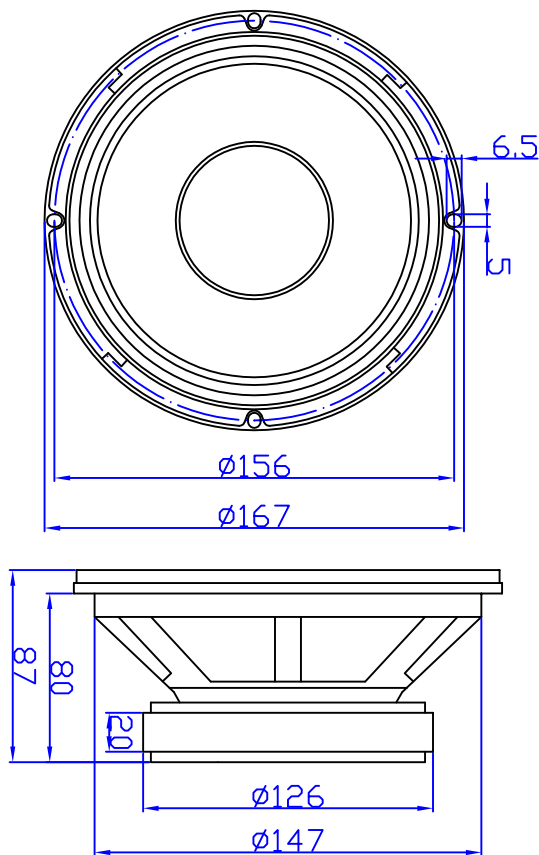




6.5" Professional High Power Midbass Driver 8 Ohm

MB620-8



PARAMETERS

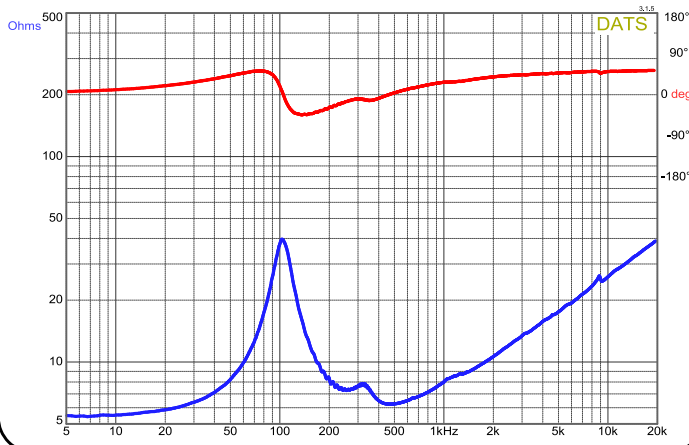
Impedance	8 ohms
Re	5.47 ohms
Le	0.93 mH @ 1kHz
Fs	104 Hz
Qms	4.29
Qes	0.69
Qts	0.59
Mms	8.59 g
Cms	0.274 mm/N
Sd	132.73 cm ²
Vd	26 cc
BL	6.68 Tm
Vas	6.77 liters
*Xmax	2.0 mm
Magnetic Gap Height	8 mm
VC Winding Height	12 mm
VC Diameter	2"
Magnet Weight	33 oz
SPL	94 dB @ 2.83V/1m
RMS Power Handling	200 watts
Usable Frequency Range	100Hz-7kHz

$$* X_{max} = \left[\frac{\text{Voice Coil Winding Height} - \text{Magnetic Gap Height}}{2} \right]$$

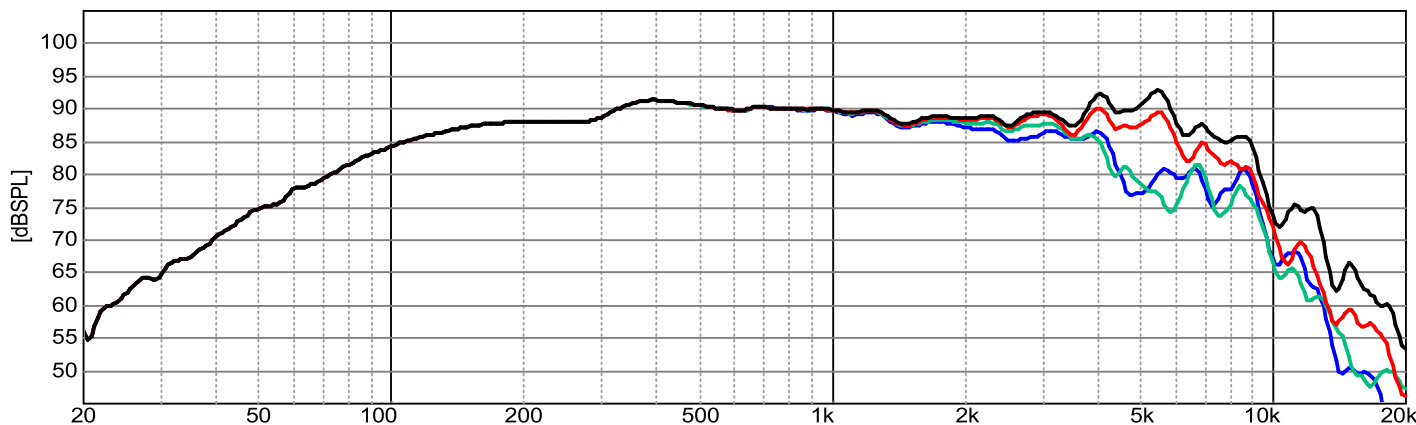
FEATURES

- Great value for performance
- High power and high SPL for amazing output
- Paper cone and corrugated cloth surround for clarity and punch
- Versatility for use as a midrange, mid-bass or woofer in professional audio, car audio, home hi-fi, musical instrument applications, and maybe even more
- Large ferrite motors for high motor strength

IMPEDANCE/PHASE



FREQUENCY RESPONSE



OmniMic

Note: 1/12th octave smoothing - nearfield response included in graph below 450 Hz

Black = 0°
Red = 15°
Green = 30°
Blue = 45°