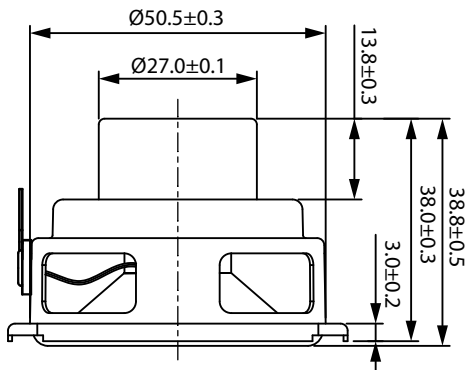
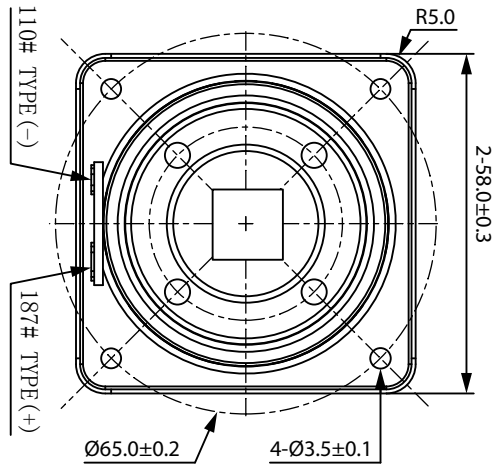




2" Dual Neo Full-Range 15W 10 ohm

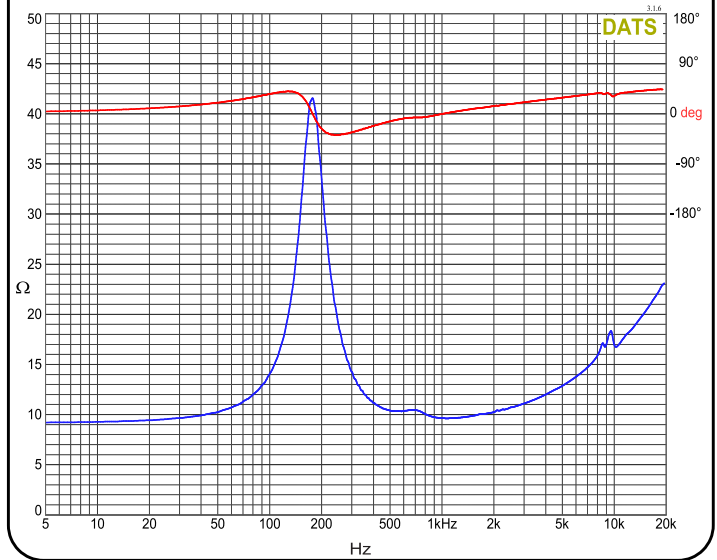
CE58N-10



PARAMETERS

Impedance	10 ohms
Re	9.2 ohms
Le	0.11 mH @ 10kHz
Fs	177 Hz
Qms	3.13
Qes	0.89
Qts	0.69
Mms	1.5 g
Cms	0.53 mm/N
Sd	14.5cm ²
Vd	2.03 cm ³
BL	4.17 Tm
Vas	0.158 liters
Xmax	2.1 mm
VC Diameter	25 mm
SPL	81 dB @ 2.83V/1m
RMS Power Handling (AES 426B)	15 watts
Usable Frequency Range (Hz)	130 - 10,000 Hz

IMPEDANCE/PHASE



FEATURES

- Dual Neodymium motor structure for increased output
- Delivers crisp, clear audio, ensuring an immersive listening experience
- High-quality audio solutions without breaking the bank, ideal for budget-conscious projects
- Suitable for commercial installations, DIY projects, art exhibits, and more

FREQUENCY RESPONSE

