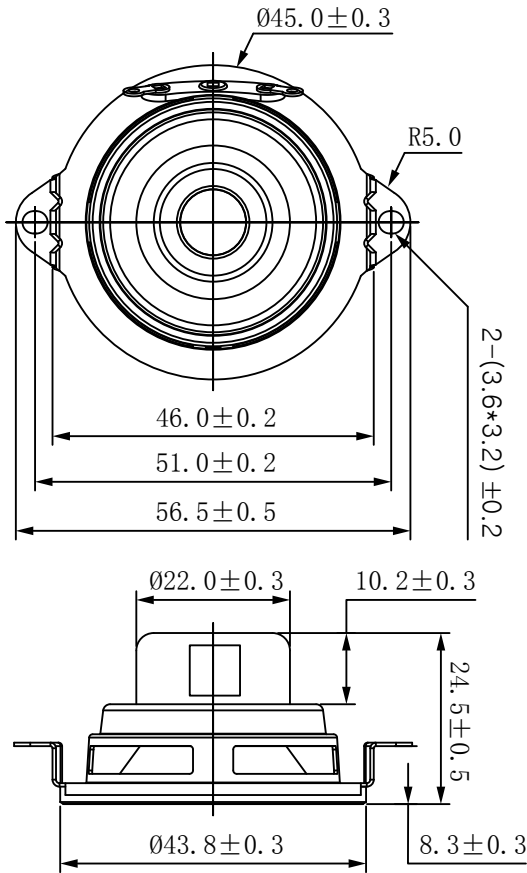




1.75" Dual Neo Full-Range 5W 4 ohm

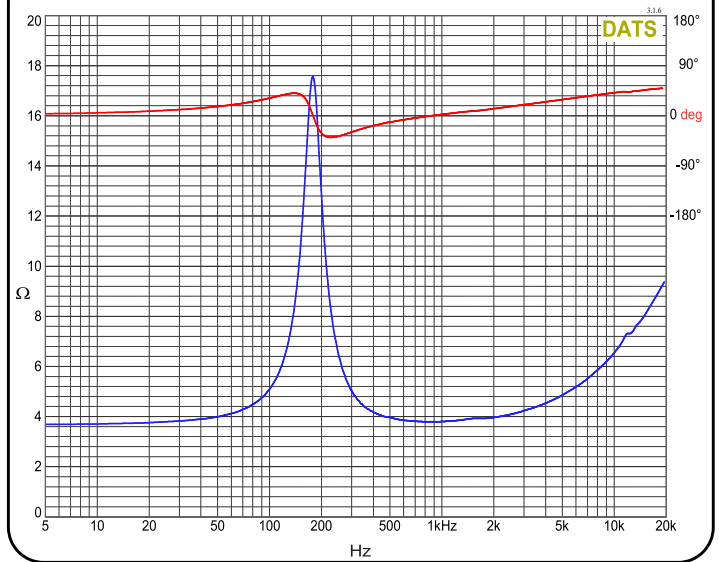
CE45N-4



PARAMETERS

Impedance	4 ohms
Re	3.68 ohms
Le	0.07 mH @ 10kHz
Fs	178 Hz
Qms	4.23
Qes	1.12
Qts	0.89
Mms	0.86 g
Cms	0.92 mm/N
Sd	8.04 cm ²
Vd	0.88 cm ³
BL	1.78 Tm
Vas	0.084 liters
Xmax	1.1 mm
VC Diameter	16 mm
SPL	81 dB @ 2.83V/1m
RMS Power Handling (AES 426B)	5 watts
Usable Frequency Range (Hz)	150 - 20,000 Hz

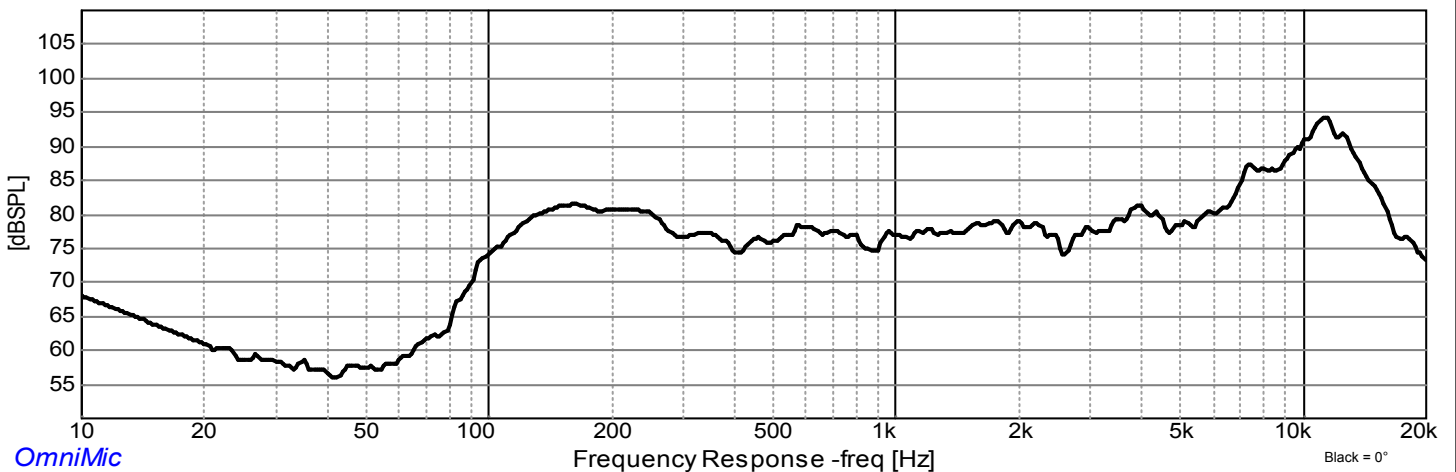
IMPEDANCE/PHASE



FEATURES

- Dual Neodymium motor structure for increased output
- Delivers crisp, clear audio, ensuring an immersive listening experience
- High-quality audio solutions without breaking the bank, ideal for budget-conscious projects
- Suitable for commercial installations, DIY projects, art exhibits, and more

FREQUENCY RESPONSE



OmniMic

Note: 1/24th octave smoothing - near field response included in graph below 450 Hz.

Black = 0°