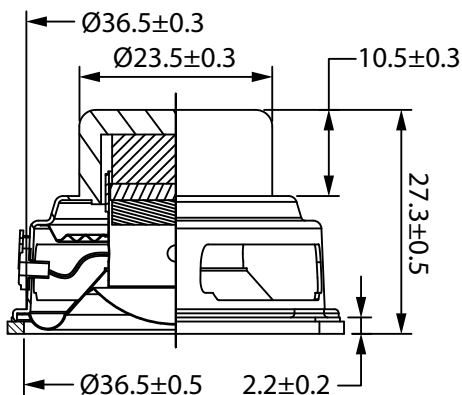
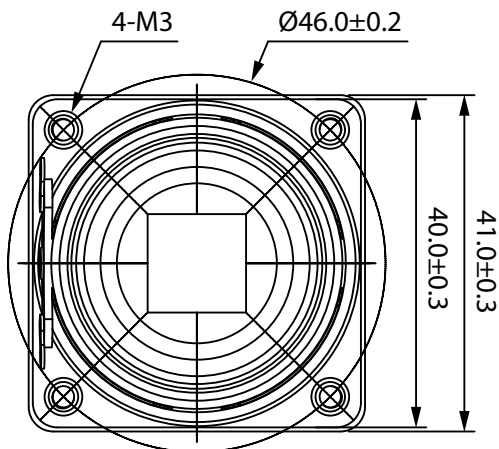




1.5" Dual Neo Full-Range 5W 4 ohm

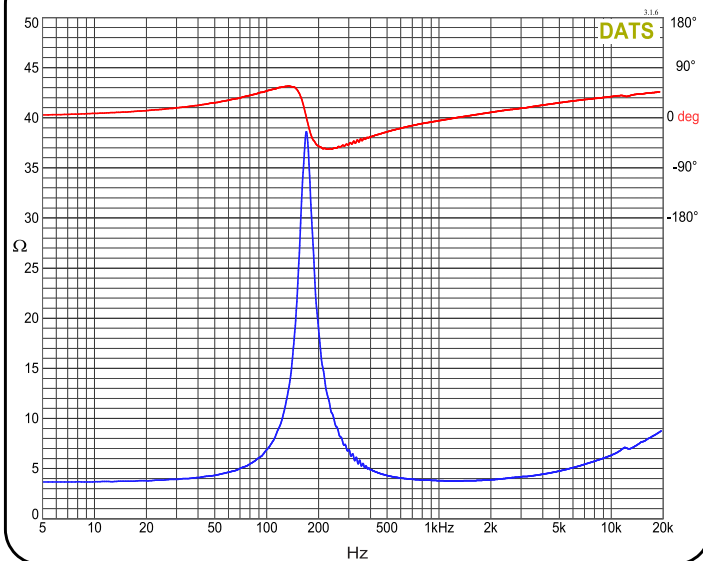
CE41N-4



PARAMETERS

Impedance	4 ohms
Re	3.6 ohms
Le	0.06 mH @ 10kHz
Fs	170 Hz
Qms	5.60
Qes	0.58
Qts	0.53
Mms	0.80 g
Cms	1.11 mm/N
Sd	7.1 cm <sup>2</sup>
Vd	0.43 cm <sup>3</sup>
BL	2.30 Tm
Vas	0.078 liters
Xmax	0.7 mm
VC Diameter	16 mm
SPL	83 dB @ 2.83V/1m
RMS Power Handling (AES 426B)	5 watts
Usable Frequency Range (Hz)	150 - 20,000 Hz

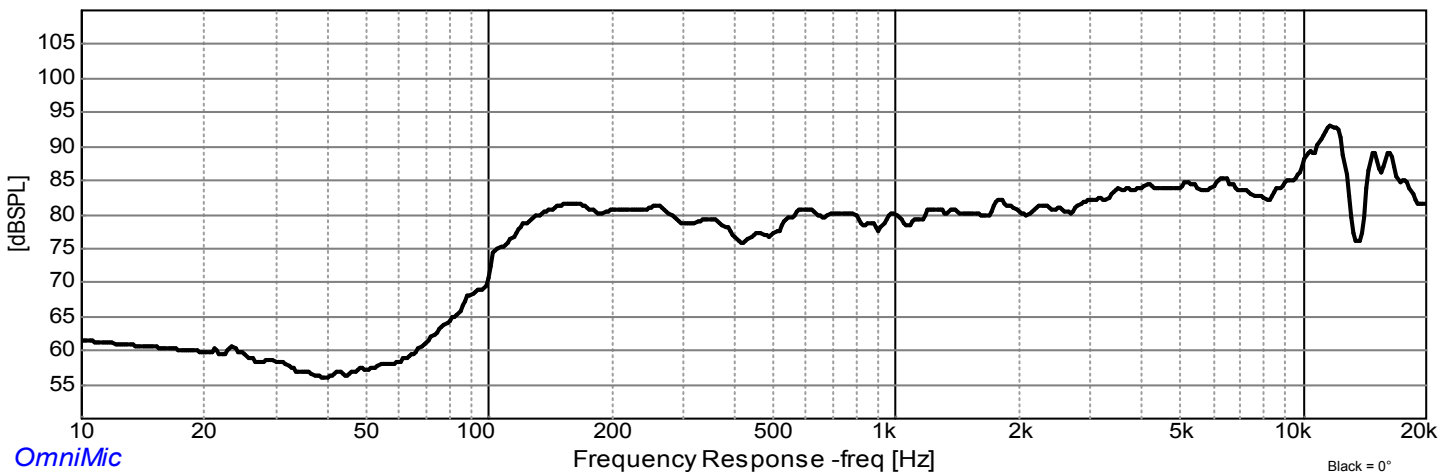
IMPEDANCE/PHASE



FEATURES

- Neodymium magnet for increased motor force and output
- Delivers crisp, clear audio, ensuring an immersive listening experience
- High-quality audio solutions without breaking the bank, ideal for budget-conscious projects
- Suitable for commercial installations, DIY projects, art exhibits, and more

FREQUENCY RESPONSE



Note: 1/24<sup>th</sup> octave smoothing - near field response included in graph below 450 Hz.