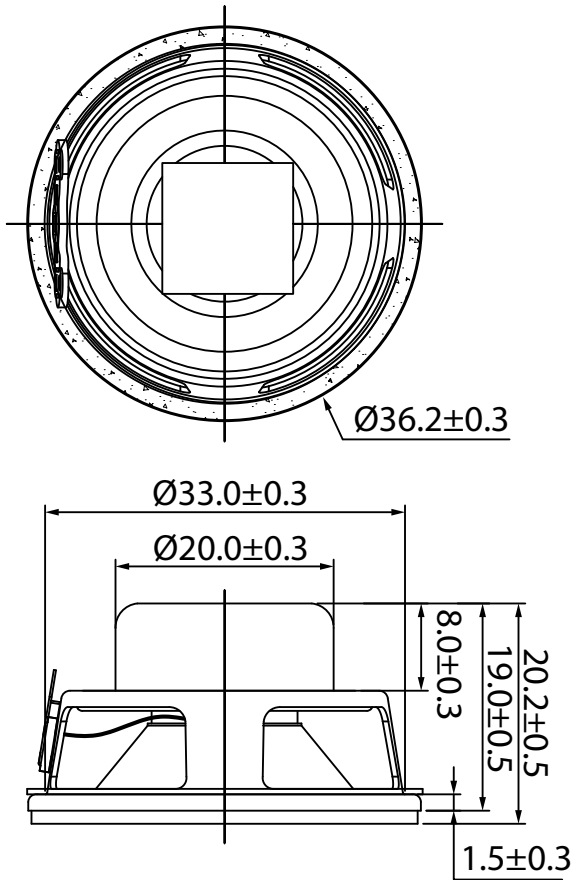




1.5" Full-Range 3W 8 ohm

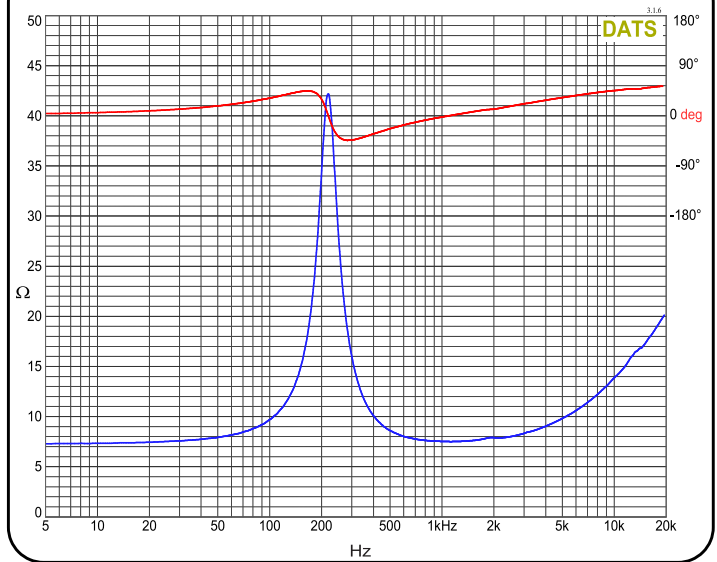
CE36-8



PARAMETERS

Impedance	8 ohms
Re	7.3 ohms
Le	0.15 mH @ 10kHz
Fs	220 Hz
Qms	4.21
Qes	0.88
Qts	0.73
Mms	0.51 g
Cms	1.04 mm/N
Sd	6.2 cm ²
Vd	0.56 cm ³
BL	2.41 Tm
Vas	0.055 liters
Xmax	0.9 mm
VC Diameter	13 mm
SPL	81 dB @ 2.83V/1m
RMS Power Handling (AES 426B)	3 watts
Usable Frequency Range (Hz)	200 - 19,000 Hz

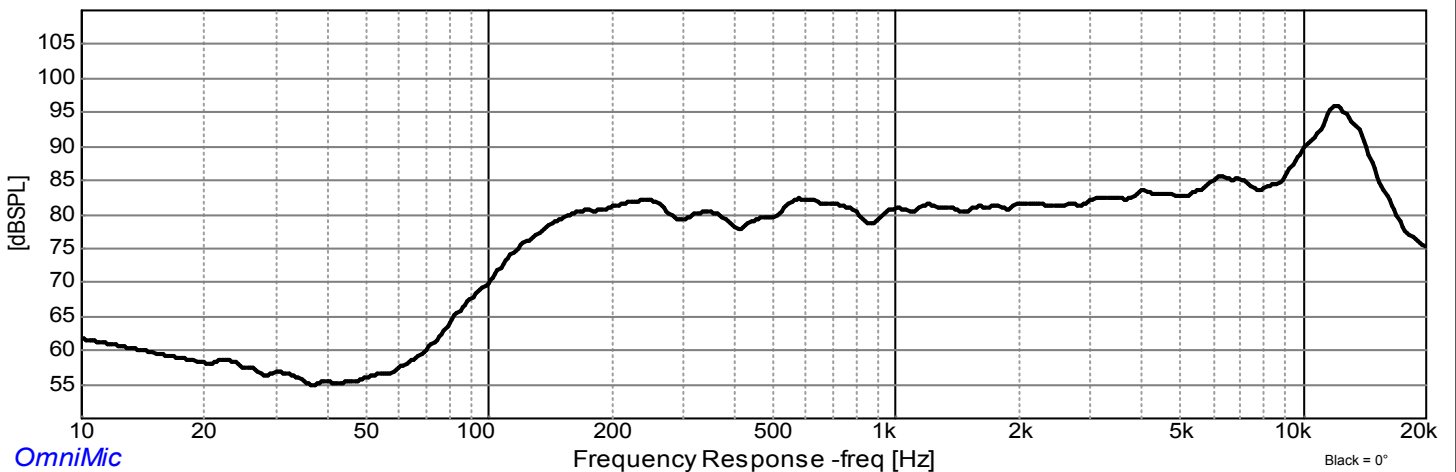
IMPEDANCE/PHASE



FEATURES

- High economic value
- Delivers crisp, clear audio, ensuring an immersive listening experience
- High-quality audio solutions without breaking the bank, ideal for budget-conscious projects
- Suitable for commercial installations, DIY projects, art exhibits, and more

FREQUENCY RESPONSE



OmniMic

Note: 1/24th octave smoothing - near field response included in graph below 450 Hz.