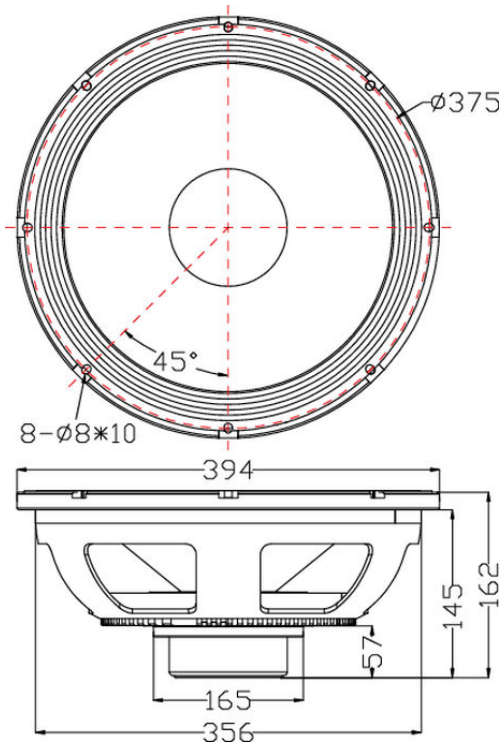




PN395-8 15" NEO Series Pro Woofer with 4" Voice Coil 8 Ohm



PARAMETERS	
Impedance	8 ohms
Re	5.5 ohms
Le	2.2 mH
Fs	44.1 Hz
Qms	8.82
Qes	0.36
Qts	0.35
Mms	150.0 g
Cms	0.09 mm/N
Sd	890.3 cm ²
Vd	578.7 cm ³
BL	25.3 Tm
Vas	96.8 liters
Xmax	6.5 mm
VC Diameter	4"
SPL	97.3 dB @ 2.83V/1m
RMS Power Handling	800 watts
Usable Frequency Range (Hz)	40 - 3,500 Hz

- ### FEATURES
- High efficiency (97dB SPL at 2.83V/m) for amazing output capability
 - 4" diameter inside/outside wound copper voice coil on glass fiber former
 - Large copper cap for inductance control and low distortion
 - Powerful FEA optimized Neodymium motor system (BI over 25 TM)
 - Generous 6.5 mm of Xmax with 48 mm peak-to-peak excursion before damage
 - Durable fiberglass reinforced ribbed paper cone for rigidity and natural sound

