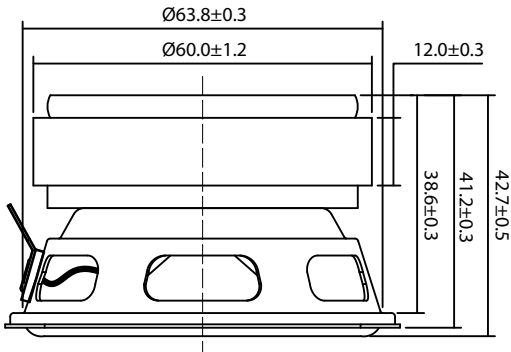
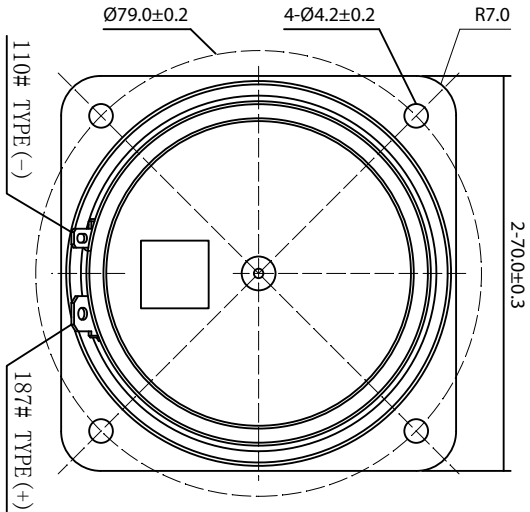




2.5" Full Range 20W 4 ohm

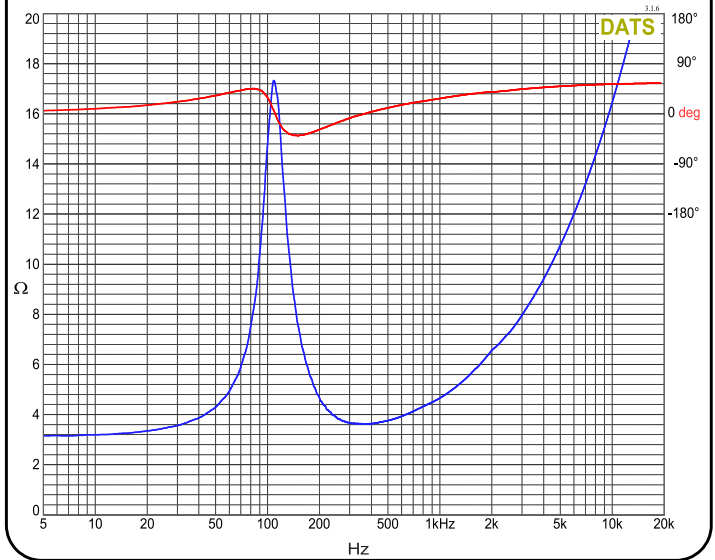
CE70PR-4



PARAMETERS

Impedance	4 ohms
Re	3.13 ohms
Le	0.31 mH @ 1kHz
Fs	109 Hz
Qms	3.50
Qes	0.77
Qts	0.63
Mms	3.5 g
Cms	0.61 mm/N
Sd	24.6 cm ²
Vd	9.84 cm ³
BL	3.11 Tm
Vas	0.523 liters
Xmax	4 mm
VC Diameter	20 mm
SPL	85 dB @ 2.83V/1m
RMS Power Handling (AES 426B)	20 watts
Usable Frequency Range (Hz)	85 - 13,000 Hz

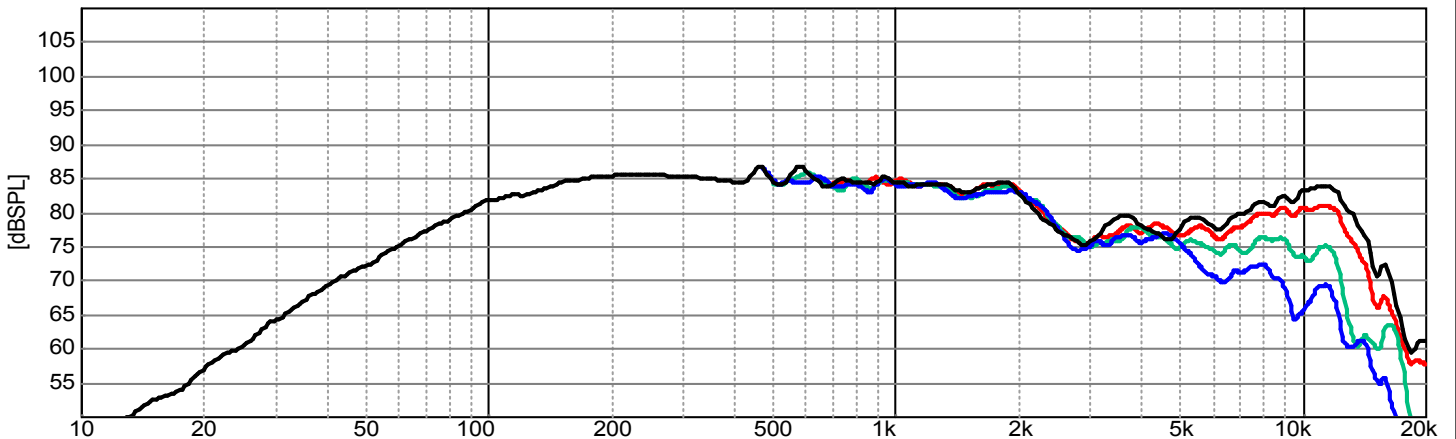
IMPEDANCE/PHASE



FEATURES

- High economic value
- Delivers crisp, clear audio, ensuring an immersive listening experience
- High-quality audio solutions without breaking the bank, ideal for budget-conscious projects
- Suitable for commercial installations, DIY projects, art exhibits, and more

FREQUENCY RESPONSE



OmniMic

Frequency Response -freq [Hz]

Note: 1/24th octave smoothing - near field response included in graph below 450 Hz.

Black = 0°
Red = 15°
Green = 30°
Blue = 45°