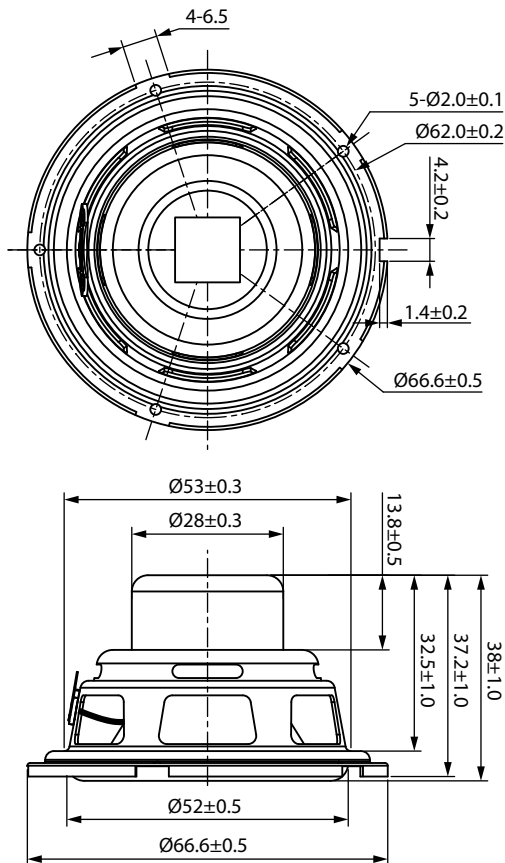




2" Neo Extended Range 15W 4 ohm

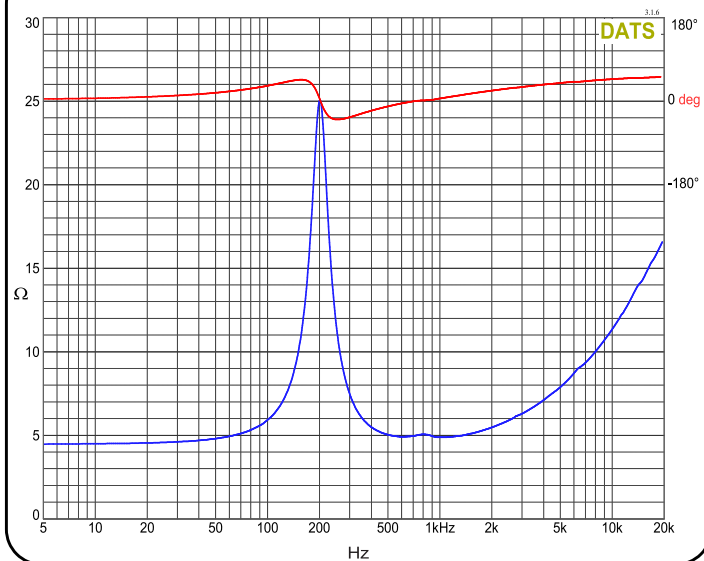
CE67PR-4



PARAMETERS

Impedance	4 ohms
Re	4.54 ohms
Le	0.14 mH @ 1kHz
Fs	218 Hz
Qms	5.52
Qes	1.11
Qts	0.92
Mms	1.8 g
Cms	0.29 mm/N
Sd	16.62 cm ²
Vd	36.56 cm ³
BL	3.22 Tm
Vas	0.11 liters
Xmax	2.2 mm
VC Diameter	20 mm
SPL	88 dB @ 2.83V/1m
RMS Power Handling (AES 426B)	15 watts
Usable Frequency Range (Hz)	218 - 20,000 Hz

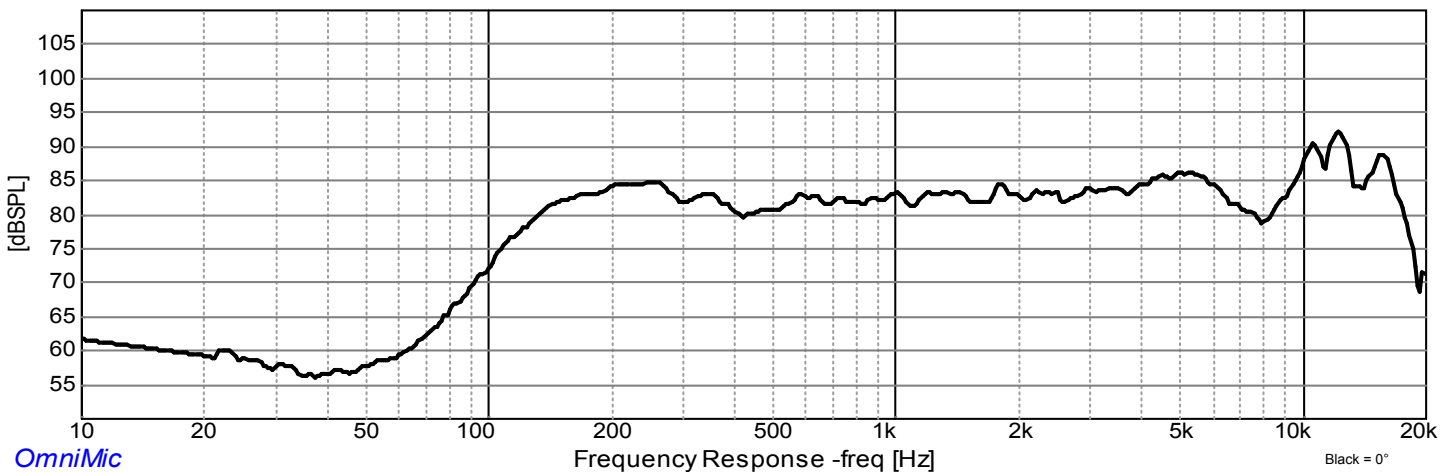
IMPEDANCE/PHASE



FEATURES

- Neodymium motor structure for increased output
- Delivers crisp, clear audio, ensuring an immersive listening experience
- High-quality audio solutions without breaking the bank, ideal for budget-conscious projects
- Suitable for commercial installations, DIY projects, art exhibits, and more

FREQUENCY RESPONSE



Note: 1/24th octave smoothing - near field response included in graph below 450 Hz.